



LCV CALIPER BRACKETS

F BK 010

F BK 010 brake caliper bracket for commercial vehicles

For complete and safe maintenance of your calipers, Brembo offers a product with the same technical and quality contents as the original product

- ✓ OE-equivalent
- ✓ Brembo quality
- ✓ Safety
- ✓ Durability
- ✓ New components



Technical specifications

Width

32 mm


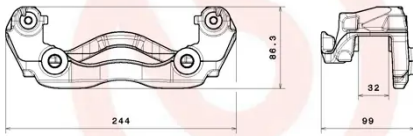



Material
Cast Iron

Braking system
BREMBO

Axle
Front

Position
Left, Right

EAN code
8020584549025

	F BK 010	BRACKET	922.E651.24 WEIGHT 2.3 KG
			CAP 22.4848.61 - x2 
			SCREW 05.8774.96 - x2 
			GREASE 04.2954.62 - x1 
DATE : 20/06/2023 VERSION : 00			

COMPATIBLE VEHICLES

COMPATIBLE OE PART NUMBERS

A0004207515

MERCEDES-BENZ