

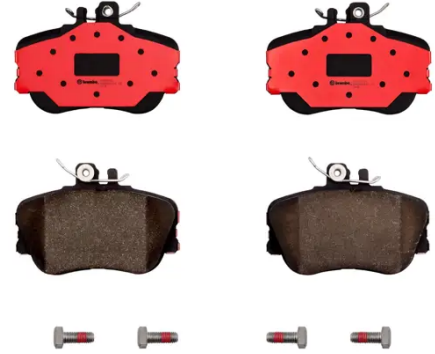


BRAKE PAD PRIME CERAMIC P06017N

The P06017N NAO brake pad is synonymous with reliability

Brembo NAO brake pads stand out for their ultimate braking comfort, reduced friction wear and low dust mission, which makes for cleaner rims and reduced maintenance requirements. The advanced friction material in keeping with the strictest environmental standards is the main distinguishing feature of NAO compounds.

- ✓ OE-equivalent
- ✓ Brembo quality
- ✓ Safety
- ✓ Comfort
- ✓ Durability
- ✓ Dust reduction
- ✓ With accessories



Technical specifications

EAN code
8020584080689

Axle
Front

Thickness
20 mm

Width
108 mm

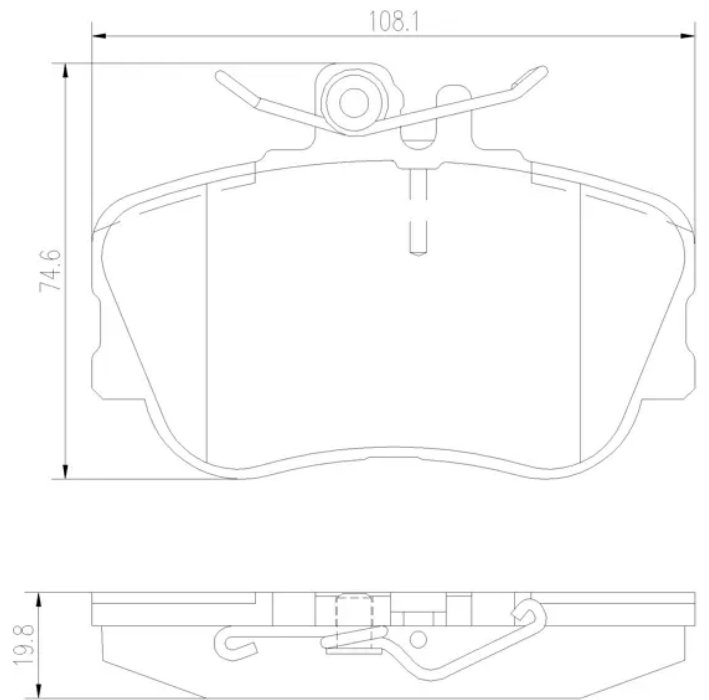
Height
75 mm

Braking system
Lucas

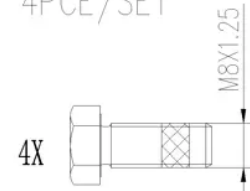
Wear indicator
Prepared for wear indicator

WVA number
21439

Accessories
**With accessories
With anti-squeal shim
With brake caliper bolts**



4PCE/SET



COMPATIBLE VEHICLES

COMPATIBLE OE PART NUMBERS

0024202120	MERCEDES-BENZ
002420212005	MERCEDES-BENZ
0024202220	MERCEDES-BENZ
002420222005	MERCEDES-BENZ
0054200320	MERCEDES-BENZ
0054204620	MERCEDES-BENZ
005420462041	MERCEDES-BENZ
054200320	MERCEDES-BENZ
A0024202120	MERCEDES-BENZ
A002420212005	MERCEDES-BENZ
A0024202220	MERCEDES-BENZ
A002420222005	MERCEDES-BENZ
A0054200320	MERCEDES-BENZ
A0054204620	MERCEDES-BENZ
A054200320	MERCEDES-BENZ