



# BRAKE PAD PRIME CERAMIC P10002N

The P10002N NAO brake pad is synonymous with reliability

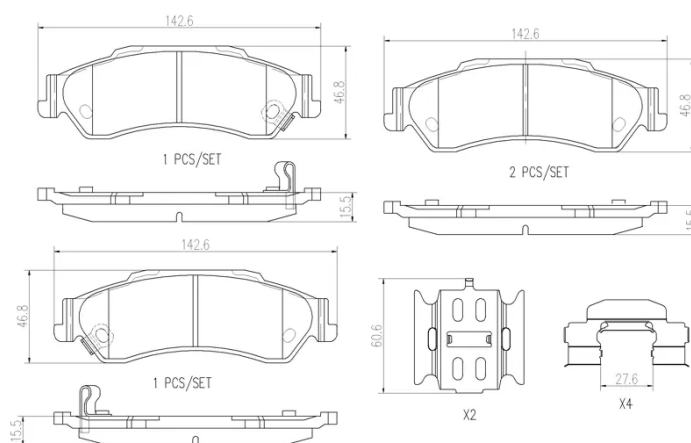
Brembo NAO brake pads stand out for their ultimate braking comfort, reduced friction wear and low dust mission, which makes for cleaner rims and reduced maintenance requirements. The advanced friction material in keeping with the strictest environmental standards is the main distinguishing feature of NAO compounds.

- ✓ OE-equivalent
- ✓ Brembo quality
- ✓ Safety
- ✓ Comfort
- ✓ Durability
- ✓ Dust reduction
- ✓ With accessories



## Technical specifications

EAN code <b>8020584096024</b>	Axle <b>Rear</b>	Thickness <b>16 mm</b>
Width <b>143 mm</b>	Height <b>47 mm</b>	Braking system <b>Bendix</b>
Wear indicator <b>Acoustic</b>	WVA number <b>23677,24200</b>	Accessories <b>With anti-squeal shim</b>



**COMPATIBLE VEHICLES**

## COMPATIBLE OE PART NUMBERS

18025475	CHEVROLET
18026156	CHEVROLET
8180261560	ISUZU