



# BRAKE PAD PRIME CERAMIC P10069N

**The P10069N NAO brake pad is synonymous with reliability**

Brembo NAO brake pads stand out for their ultimate braking comfort, reduced friction wear and low dust mission, which makes for cleaner rims and reduced maintenance requirements. The advanced friction material in keeping with the strictest environmental standards is the main distinguishing feature of NAO compounds.

- ✓ OE-equivalent
- ✓ Brembo quality
- ✓ Safety
- ✓ Comfort
- ✓ Durability
- ✓ Dust reduction
- ✓ With accessories



## Technical specifications

EAN code  
**8020584084625**

Axle  
**Front**

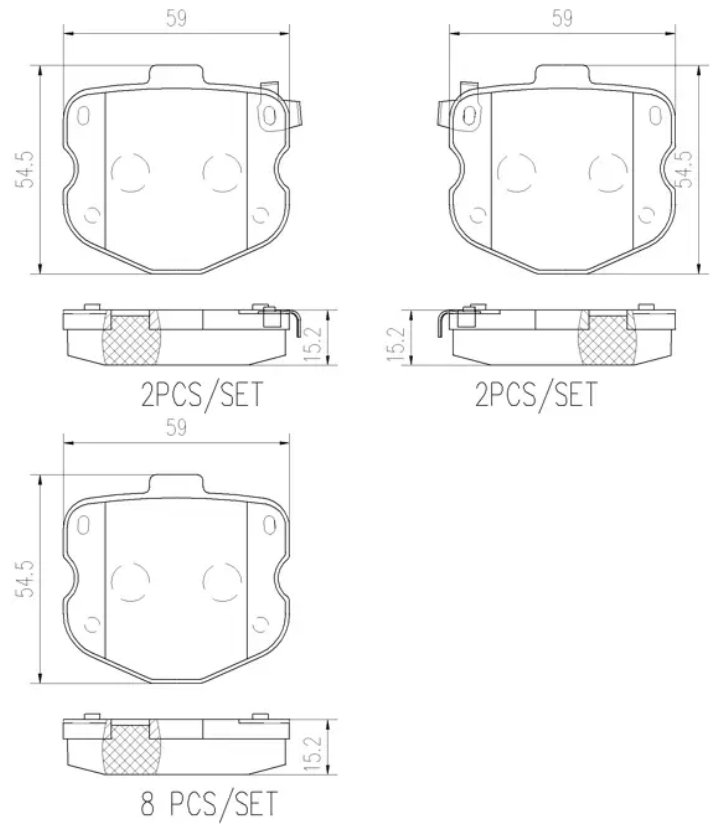
Thickness  
**15 mm**

Width  
**59 mm**

Height  
**55 mm**

Wear indicator  
**Acoustic**

Accessories  
**With anti-squeal shim**



COMPATIBLE VEHICLES

## COMPATIBLE OE PART NUMBERS

19121809 CHEVROLET

19153019 CHEVROLET