



BRAKE PAD PRIME CERAMIC P24064N

The P24064N NAO brake pad is synonymous with reliability

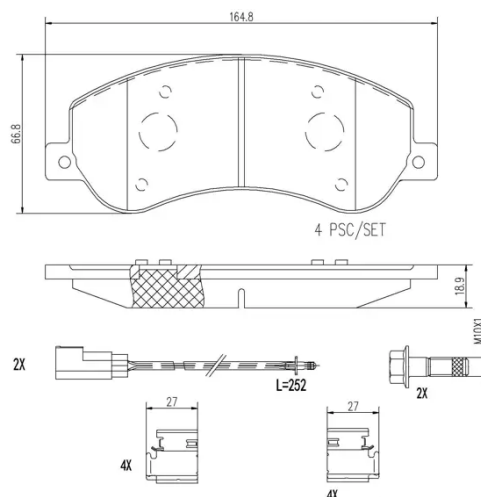
Brembo NAO brake pads stand out for their ultimate braking comfort, reduced friction wear and low dust mission, which makes for cleaner rims and reduced maintenance requirements. The advanced friction material in keeping with the strictest environmental standards is the main distinguishing feature of NAO compounds.

- ✓ OE-equivalent
- ✓ Brembo quality
- ✓ Safety
- ✓ Comfort
- ✓ Durability
- ✓ Dust reduction
- ✓ With accessories



Technical specifications

| | | |
|-----------------------------------|----------------------------|---|
| EAN code 8020584109694 | Axle Front | Thickness 19 mm |
| Width 165 mm | Height 67 mm | Braking system Bosch |
| Wear indicator Electric | WVA number 24484 | Accessories With accessories With anti-squeal shim With brake caliper bolts |



COMPATIBLE VEHICLES

COMPATIBLE OE PART NUMBERS

| | |
|---------------|------------|
| 1121170400 | BYD |
| 1170486300 | BYD |
| 1248264400 | BYD |
| 1270120800 | BYD |
| S6DM3501110 | BYD |
| ST3501500 | BYD |
| 1371402 | FORD |
| 1433952 | FORD |
| 1488962 | FORD |
| 1553797 | FORD |
| 1560014 | FORD |
| 1721087 | FORD |
| 1824346 | FORD |
| 6C112K021AB | FORD |
| 6C112K021AC | FORD |
| 6C112K021AD | FORD |
| 6C112K021AE | FORD |
| 9C112K021AA | FORD |
| ME6C1J2K021AA | FORD |
| ME6C1J2K021AB | FORD |
| 6C1Z2001C | FORD (JMC) |