



BRAKE PAD PRIME CERAMIC P34005N

The P34005N NAO brake pad is synonymous with reliability

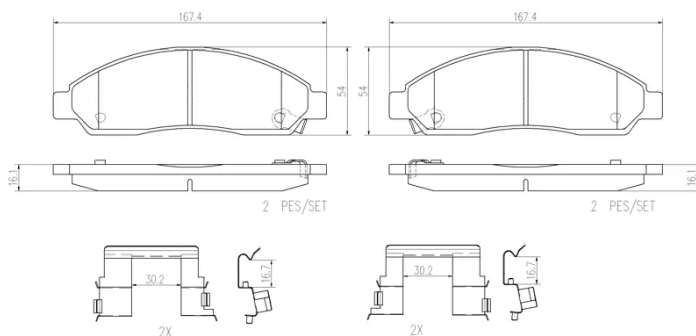
Brembo NAO brake pads stand out for their ultimate braking comfort, reduced friction wear and low dust mission, which makes for cleaner rims and reduced maintenance requirements. The advanced friction material in keeping with the strictest environmental standards is the main distinguishing feature of NAO compounds.

- ✓ OE-equivalent
- ✓ Brembo quality
- ✓ Safety
- ✓ Comfort
- ✓ Durability
- ✓ Dust reduction
- ✓ With accessories



Technical specifications

EAN code 8020584098110	Axle Front	Thickness 16 mm
Width 167 mm	Height 54 mm	Braking system Sumitomo
Wear indicator Acoustic	WVA number 24595,24370	Accessories With anti-squeal shim



COMPATIBLE VEHICLES

COMPATIBLE OE PART NUMBERS

89040316	CHEVROLET
----------	-----------

3501175	GMC
---------	-----

3501175K00J	GMC
-------------	-----

89040317	GMC
----------	-----

3501120K00	GREAT WALL
------------	------------

3501150K00	GREAT WALL
------------	------------

3501175K00J	GREAT WALL
-------------	------------

3501120K00	HAVAL
------------	-------

8890403170	ISUZU
------------	-------

89040317	ISUZU
----------	-------

8973186690	ISUZU
------------	-------

8973186750	ISUZU
------------	-------

8973293320	ISUZU
------------	-------

8973293330	ISUZU
------------	-------

8973682510	ISUZU
------------	-------

8973682520	ISUZU
------------	-------

8973749720	ISUZU
------------	-------

8973749730	ISUZU
------------	-------

8980511140	ISUZU
------------	-------

8980511150	ISUZU
------------	-------

8980511160	ISUZU
------------	-------

8980511170	ISUZU
------------	-------