

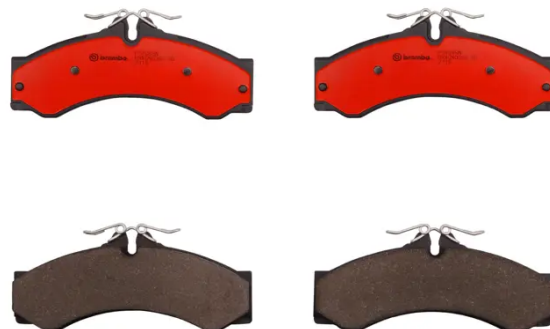


# BRAKE PAD PRIME CERAMIC P50088N

The P50088N NAO brake pad is synonymous with reliability

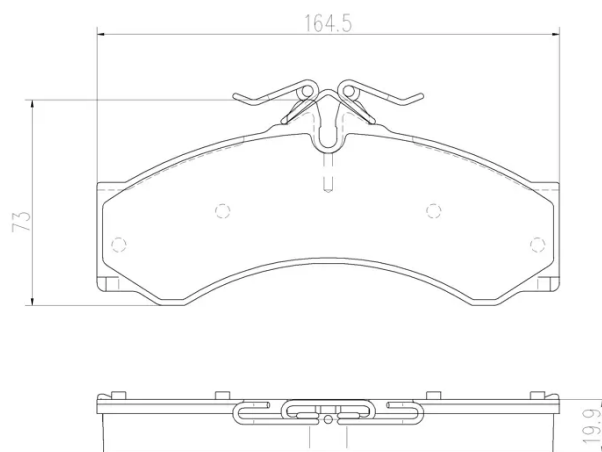
Brembo NAO brake pads stand out for their ultimate braking comfort, reduced friction wear and low dust mission, which makes for cleaner rims and reduced maintenance requirements. The advanced friction material in keeping with the strictest environmental standards is the main distinguishing feature of NAO compounds.

- ✓ OE-equivalent
- ✓ Brembo quality
- ✓ Safety
- ✓ Comfort
- ✓ Durability
- ✓ Dust reduction
- ✓ With accessories



## Technical specifications

|                |                |                       |
|----------------|----------------|-----------------------|
| EAN code       | Axle           | Thickness             |
| 8020584098592  | Front and rear | 20 mm                 |
| Width          | Height         | Braking system        |
| 165 mm         | 73 mm          | Perrot                |
| Wear indicator | WVA number     | Accessories           |
| Without        | 29153          | With anti-squeal shim |



4 PCS/SET

COMPATIBLE VEHICLES

## COMPATIBLE OE PART NUMBERS

|            |          |
|------------|----------|
| 05103790AA | CHRYSLER |
|------------|----------|

|            |       |
|------------|-------|
| 05103556AA | DODGE |
|------------|-------|

|           |       |
|-----------|-------|
| 5103556AA | DODGE |
|-----------|-------|

|           |       |
|-----------|-------|
| 5103790AA | DODGE |
|-----------|-------|

|            |               |
|------------|---------------|
| 0004217391 | MERCEDES-BENZ |
|------------|---------------|

|            |               |
|------------|---------------|
| 9014210110 | MERCEDES-BENZ |
|------------|---------------|

|            |         |
|------------|---------|
| 8660004512 | RENAULT |
|------------|---------|