



BRAKE PAD PRIME CERAMIC P61043N

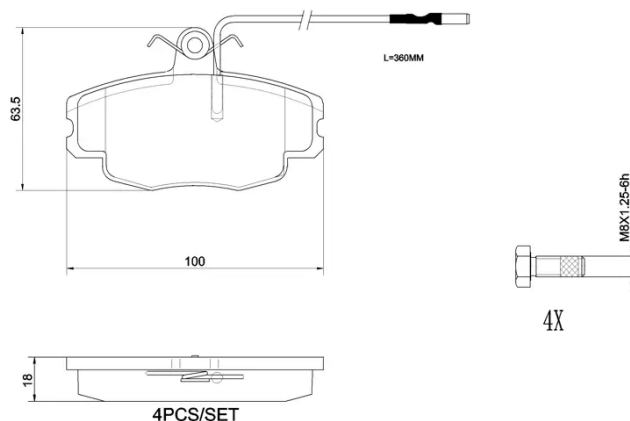
The P61043N NAO brake pad is synonymous with reliability

Brembo NAO brake pads stand out for their ultimate braking comfort, reduced friction wear and low dust mission, which makes for cleaner rims and reduced maintenance requirements. The advanced friction material in keeping with the strictest environmental standards is the main distinguishing feature of NAO compounds.

- ✓ OE-equivalent
- ✓ Brembo quality
- ✓ Safety
- ✓ Comfort
- ✓ Durability
- ✓ Dust reduction
- ✓ With accessories

Technical specifications

EAN code 8020584125496	Axle Front	Thickness 18 mm
Width 100 mm	Height 64 mm	Braking system Lucas
Wear indicator Electric	WVA number 21460,21613	Accessories With accessories With anti-squeal shim With brake caliper bolts



COMPATIBLE VEHICLES

COMPATIBLE OE PART NUMBERS

95658557	CITROËN
E172038	CITROËN
C95658557	CITROËN (DF-PSA)