



# BRAKE PAD PRIME CERAMIC P65017N

The P65017N NAO brake pad is synonymous with reliability

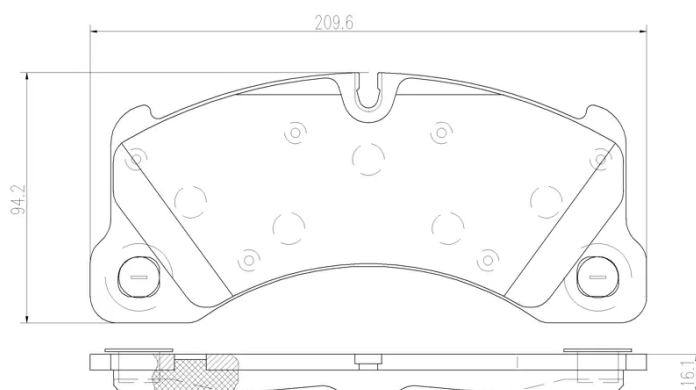
Brembo NAO brake pads stand out for their ultimate braking comfort, reduced friction wear and low dust mission, which makes for cleaner rims and reduced maintenance requirements. The advanced friction material in keeping with the strictest environmental standards is the main distinguishing feature of NAO compounds.

- ✓ OE-equivalent
- ✓ Brembo quality
- ✓ Safety
- ✓ Comfort
- ✓ Durability
- ✓ Dust reduction
- ✓ With accessories



## Technical specifications

EAN code	Axle	Thickness
<b>8020584089606</b>	<b>Front</b>	<b>16 mm</b>
Width	Height	Braking system
<b>210 mm</b>	<b>94 mm</b>	<b>Brembo</b>
Wear indicator	WVA number	Accessories
<b>Prepared for wear indicator</b>	<b>24553</b>	<b>With anti-squeal shim</b>



4 PCS/SET

COMPATIBLE VEHICLES

## COMPATIBLE OE PART NUMBERS

7L0698151M	AUDI
------------	------

7L0698151N	AUDI
------------	------

95535193960	PORSCHE
-------------	---------

95535193961	PORSCHE
-------------	---------

95535193962	PORSCHE
-------------	---------

95535193963	PORSCHE
-------------	---------

95535193965	PORSCHE
-------------	---------

95835193920	PORSCHE
-------------	---------

95835193921	PORSCHE
-------------	---------

95835193970	PORSCHE
-------------	---------

9J1698151	PORSCHE
-----------	---------

9J1698151D	PORSCHE
------------	---------

7L0698151M	SEAT
------------	------

7L0698151N	SEAT
------------	------

7L0698151M	SKODA
------------	-------

7L0698151N	SKODA
------------	-------

7L0698151K	VW
------------	----

7L0698151L	VW
------------	----

7L0698151M	VW
------------	----

7L0698151N	VW
------------	----