

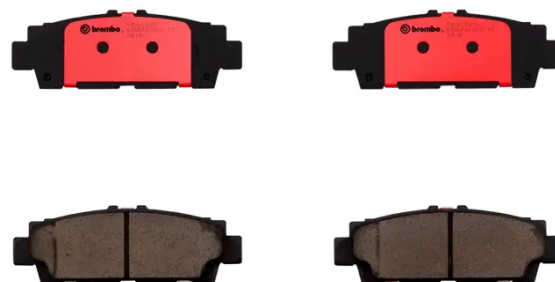


BRAKE PAD PRIME CERAMIC P83032N

The P83032N NAO brake pad is synonymous with reliability

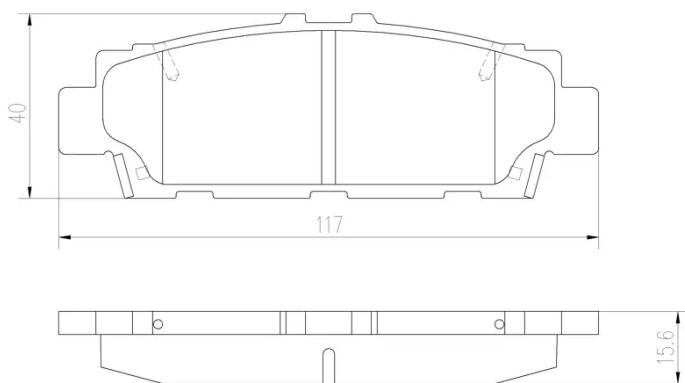
Brembo NAO brake pads stand out for their ultimate braking comfort, reduced friction wear and low dust mission, which makes for cleaner rims and reduced maintenance requirements. The advanced friction material in keeping with the strictest environmental standards is the main distinguishing feature of NAO compounds.

- ✓ OE-equivalent
- ✓ Brembo quality
- ✓ Safety
- ✓ Comfort
- ✓ Durability
- ✓ Dust reduction
- ✓ With accessories



Technical specifications

EAN code 8020584085813	Axle Rear	Thickness 16 mm
Width 117 mm	Height 40 mm	Braking system Sumitomo
Wear indicator Without	WVA number 21790	Accessories With anti-squeal shim



4 PCS/SET

COMPATIBLE VEHICLES

COMPATIBLE OE PART NUMBERS

0449250010	LEXUS
------------	-------

0449250011	LEXUS
------------	-------

449250011	LEXUS
-----------	-------

AY060TY005	NISSAN
------------	--------

0446650070	TOYOTA
------------	--------

0449250010	TOYOTA
------------	--------