



BRAKE PAD

P 23 025

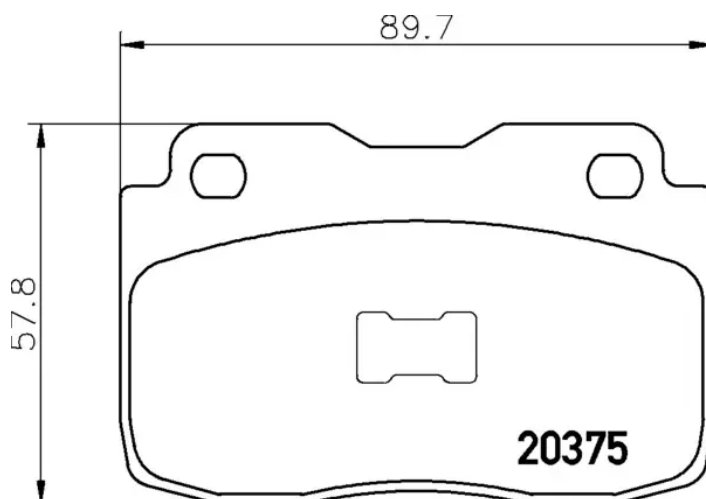
The P 23 025 brake pad is synonymous with reliability

The Brembo brake pad guarantees ultimate safety when braking thanks to the use of more than 100 different compounds, designed according to the type of vehicle and use. Stopping distances reduced to a minimum, maximum driving comfort and silent operation are the most important features of Brembo materials. Brembo brake pads are supplied together with an extensive range of accessories and assembly kits for professional-standard installation.

- ✓ OE-equivalent
- ✓ Brembo quality
- ✓ ECE-R90 certificate
- ✓ Safety
- ✓ Performance
- ✓ Comfort

Technical specifications

EAN code	Axle	Thickness
8020584050958	Front	16 mm
Width	Height	Braking system
90 mm	58 mm	Teves
Wear indicator	WVA number	Accessories
Without	20375	With anti-squeal shim



COMPATIBLE VEHICLES

COMPATIBLE OE PART NUMBERS

1177227	FIAT
---------	------

4382263	FIAT
---------	------

4435009	FIAT
---------	------

5888553	FIAT
---------	------
