



# BRAKE PAD

## P 24 037

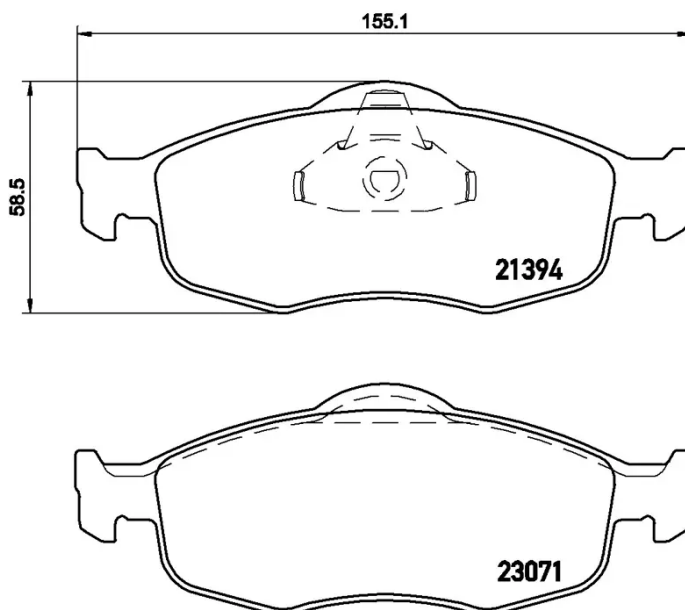
The P 24 037 brake pad is synonymous with reliability

The Brembo brake pad guarantees ultimate safety when braking thanks to the use of more than 100 different compounds, designed according to the type of vehicle and use. Stopping distances reduced to a minimum, maximum driving comfort and silent operation are the most important features of Brembo materials. Brembo brake pads are supplied together with an extensive range of accessories and assembly kits for professional-standard installation.

- ✓ OE-equivalent
- ✓ Brembo quality
- ✓ ECE-R90 certificate
- ✓ Safety
- ✓ Performance
- ✓ Comfort
- ✓ With accessories

### Technical specifications

EAN code <b>8020584052099</b>	Axle <b>Front</b>	Thickness <b>19 mm</b>
Width <b>155 mm</b>	Height <b>59 mm</b>	Braking system <b>Teves</b>
Wear indicator <b>Without</b>	WVA number <b>21394,23071</b>	Accessories <b>With accessories</b> <b>With anti-squeal shim</b> <b>With piston clip</b>



COMPATIBLE VEHICLES

## COMPATIBLE OE PART NUMBERS

1073731 FORD

---

1079347 FORD

---

1095201 FORD

---

1096942 FORD

---

1130759 FORD

---

1521326 FORD

---

1652285 FORD

---

5029147 FORD

---

6877836 FORD

---

6882584 FORD

---

93BB2K021EB FORD

---

93BX2K021AA FORD

---

93GB2K021CB FORD

---

97BG2K021BA FORD

---

97BG2K021BB FORD

---

97BX2K021BA FORD

---

97BX2K021BB FORD

---

97BX2K021BC FORD

---

F5RZ2001A FORD

---

F5RZ2001C FORD

---

ME97BX2K021BD FORD

---

R86GB8005EB FORD

---

F5RZ2001C FORD USA

---

XS8Z2001BA FORD USA

---

XS8Z2001CA FORD USA

---

2U2Z2V001JA MERCURY

---

XS8Z2001BA MERCURY

---

XS8Z2001CA MERCURY

---