



BRAKE PAD XTRA

P 50 091X

The P 50 091X Xtra brake pad is synonymous with reliability

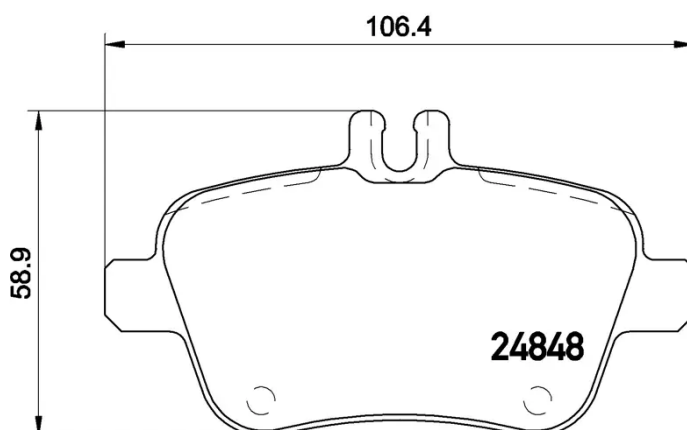
Brembo Xtra brake pads, developed to enhance the advantages of the Xtra and Max discs, are made using the special BRM X L01 compound which consists of more than 30 different components. Compared with the compound used for original-equivalent pads, the new solution assures a higher friction coefficient, which translates to more precise and stable braking, at both high and low temperatures. All this makes for greater driving comfort and improved pedal modularity, without compromising the product's mileage output.



- ✓ Brembo quality
- ✓ ECE-R90 certificate
- ✓ Safety
- ✓ Performance
- ✓ Sports driving
- ✓ With accessories

Technical specifications

EAN code	Axle	Thickness
8020584068984	Rear	18 mm
Width	Height	Braking system
106 mm	59 mm	TRW
Wear indicator	WVA number	Accessories
Prepared for wear indicator	24848	With accessories With anti-squeal shim With brake caliper bolts



COMPATIBLE VEHICLES

COMPATIBLE OE PART NUMBERS

0004200605 MERCEDES-BENZ

0004200705 MERCEDES-BENZ

0064202320 MERCEDES-BENZ

0064207920 MERCEDES-BENZ

0074209420 MERCEDES-BENZ

A0004200605 MERCEDES-BENZ

A0004200705 MERCEDES-BENZ

A0064202320 MERCEDES-BENZ

A0064207920 MERCEDES-BENZ

A0074209420 MERCEDES-BENZ
