



# BRAKE PAD

## P 50 104

The P 50 104 brake pad is synonymous with reliability

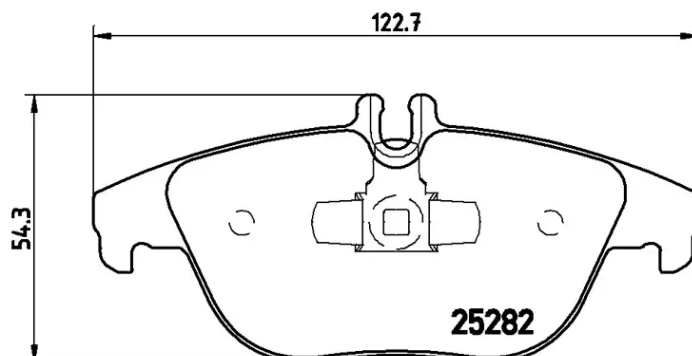
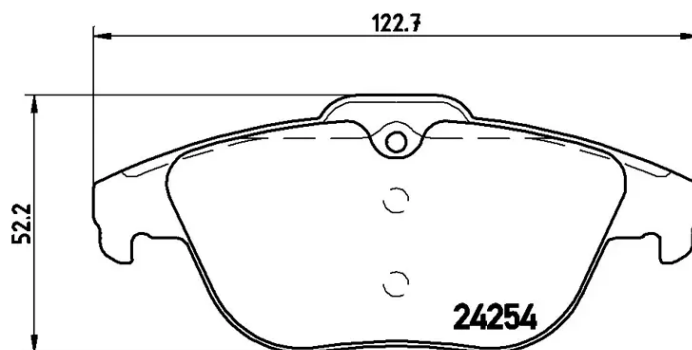
The Brembo brake pad guarantees ultimate safety when braking thanks to the use of more than 100 different compounds, designed according to the type of vehicle and use. Stopping distances reduced to a minimum, maximum driving comfort and silent operation are the most important features of Brembo materials. Brembo brake pads are supplied together with an extensive range of accessories and assembly kits for professional-standard installation.

- ✓ OE-equivalent
- ✓ Brembo quality
- ✓ ECE-R90 certificate
- ✓ Safety
- ✓ Performance
- ✓ Comfort
- ✓ With accessories



### Technical specifications

EAN code <b>8020584104880</b>	Axle <b>Rear</b>	Thickness <b>18 mm</b>
Width <b>123 mm</b>	Height <b>52 mm</b>	Braking system <b>Teves</b>
Wear indicator <b>Prepared for wear indicator</b>	WVA number <b>24254,25282</b>	Accessories <b>With accessories With anti-squeal shim With piston clip</b>



## COMPATIBLE OE PART NUMBERS

0054204920	MERCEDES-BENZ
0054205120	MERCEDES-BENZ
0074206120	MERCEDES-BENZ
0074206220	MERCEDES-BENZ
A0054204920	MERCEDES-BENZ
A0054205120	MERCEDES-BENZ
A0074206120	MERCEDES-BENZ
A0074206220	MERCEDES-BENZ