



BRAKE PAD

P 59 019

The P 59 019 brake pad is synonymous with reliability

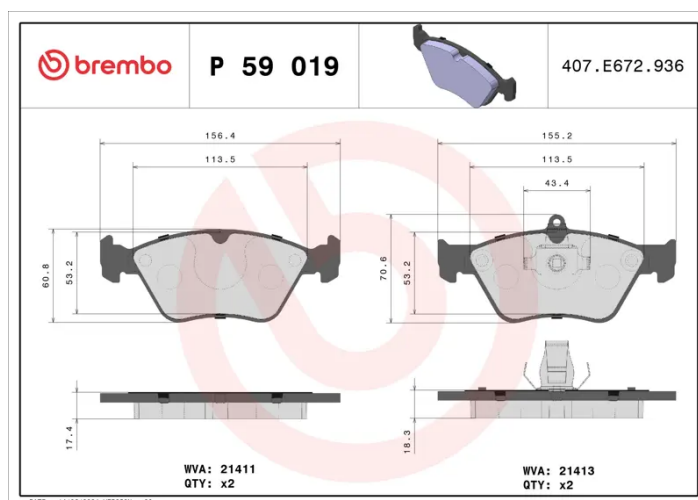
The Brembo brake pad guarantees ultimate safety when braking thanks to the use of more than 100 different compounds, designed according to the type of vehicle and use. Stopping distances reduced to a minimum, maximum driving comfort and silent operation are the most important features of Brembo materials. Brembo brake pads are supplied together with an extensive range of accessories and assembly kits for professional-standard installation.

- ✓ OE-equivalent
- ✓ Brembo quality
- ✓ ECE-R90 certificate
- ✓ Safety
- ✓ Performance
- ✓ Comfort



Technical specifications

EAN code 8020584055502	Axle Front	Thickness 18 mm
Width 155 mm	Height 61 mm	Braking system Teves
Wear indicator Prepared for wear indicator	WVA number 21411,21413	Accessories With anti-squeal shim With piston clip



COMPATIBLE VEHICLES

COMPATIBLE OE PART NUMBERS

1605003	OPEL
---------	------

1605855	OPEL
---------	------

90443873	OPEL
----------	------

4467049	SAAB
---------	------

4467899	SAAB
---------	------

4483723	SAAB
---------	------

4646899	SAAB
---------	------

4648457	SAAB
---------	------