



XS BRAKE PAD 07063XS

The 07063XS brake pad is synonymous with reliability

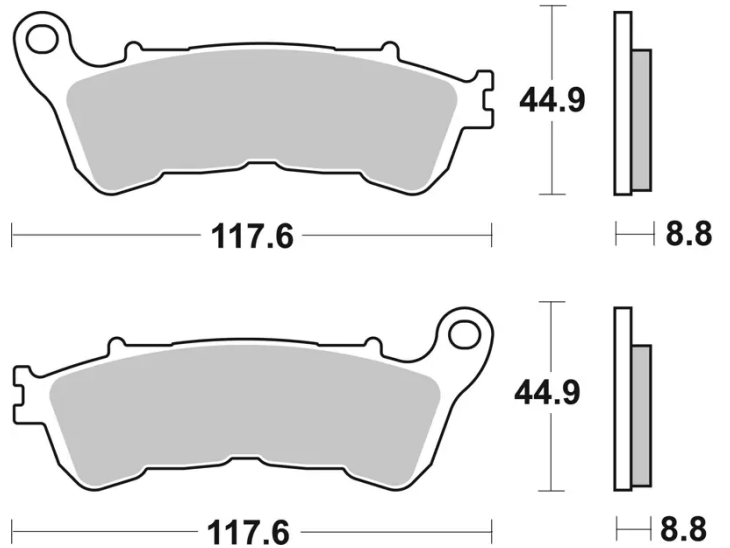
Sintered compound specifically for front and rear wheel application on scooters. It is an extremely stable material, guaranteeing consistent performance in all driving situations. It is the ideal material for the latest generation of maxi-scooters

- ✓ OE-equivalent
- ✓ Brembo quality
- ✓ ECE-R90 certificate
- ✓ Safety
- ✓ Comfort



Technical specifications

Width mm	Height 44,93 mm	Thickness 8,8 mm
Compound Sinter	Units per box 2	



COMPATIBLE VEHICLES