

Brake shoe S 50 502



Brake shoe technical data

Axle Rear

Diameter
164 mm

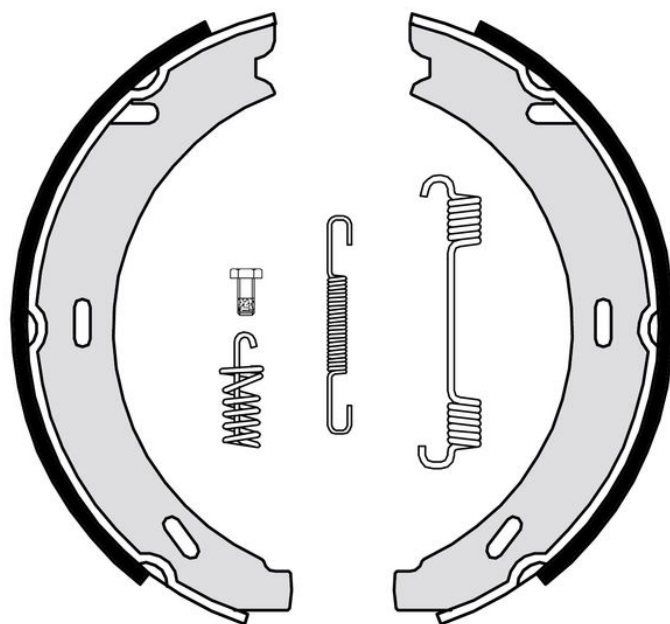
Width
20 mm

Braking system
TRW

Type
Parking brake

Features
With accessories

EANCode
8432509642115



Compatible vehicles

CHRYSLER

Model	Type	Kw	Year
CROSSFIRE	3.2	160	07/03 12/08
CROSSFIRE	SRT-6	246	09/04 12/07
CROSSFIRE Roadster	3.2	160	05/04 12/08
CROSSFIRE Roadster	SRT-6	246	09/04 12/06

MERCEDES-BENZ

Model	Type	Kw	Year
190 (W201)	2.0 (201.022)	66	10/82 10/84
190 (W201)	2.0 (201.023)	75	01/86 05/90
190 (W201)	2.0 (201.023)	77	08/83 05/90

190 (W201)	2.3	97	09/87 09/88
190 (W201)	2.3 E	100	10/82 09/88
190 (W201)	2.6	118	10/82 09/88
190 (W201)	D 2.0 (201.122)	53	08/83 08/89
190 (W201)	D 2.0 (201.122)	55	08/89 08/93
190 (W201)	D 2.5 (201.126)	66	04/85 08/93
190 (W201)	D 2.5 (201.126)	69	08/89 08/93
190 (W201)	E 1.8 (201.018)	80	04/90 08/93
190 (W201)	E 2.0	87	01/85 08/93
190 (W201)	E 2.0	93	10/82 06/93
190 (W201)	E 2.0 (201.024)	83	02/85 12/86
190 (W201)	E 2.0 (201.024)	85	02/85 12/86
190 (W201)	E 2.0 (201.024)	90	10/82 06/93
190 (W201)	E 2.3	97	09/86 08/91
190 (W201)	E 2.3 (201.028)	100	10/86 08/93
190 (W201)	E 2.3-16	130	09/85 08/88
190 (W201)	E 2.3-16	125	09/85 12/87
190 (W201)	E 2.3-16 (201.034)	136	04/84 01/87
190 (W201)	E 2.5-16	143	03/89 08/93
190 (W201)	E 2.5-16	150	09/88 08/93
190 (W201)	E 2.6	122	09/86 12/89
190 (W201)	E 2.6 (201.029)	118	09/86 08/93
190 (W201)	E Evolution II 2.5	173	05/90 08/93
190 (W201)	Turbo-D 2.5 (201.128)	90	02/88 08/93
190 (W201)	Turbo-D 2.5 (201.128)	93	02/88 08/93
A-CLASS (W168)	A 170 CDI (168.008)	66	07/98 02/01
A-CLASS (W168)	A 170 CDI (168.009, 168.109)	70	02/01 08/04
A-CLASS (W168)	A 190 (168.032, 168.132)	92	03/99 08/04
A-CLASS (W168)	A 210 (168.035, 168.135)	103	12/01 08/04
A-CLASS (W169)	A 150 (169.031, 169.331)	70	09/04 06/12
A-CLASS (W169)	A 160 (169.031, 169.331)	70	04/09 06/12

A-CLASS (W169)	A 160 CDI (169.006, 169.306)	60	09/04 06/12
A-CLASS (W169)	A 170 (169.032, 169.332)	85	09/04 06/12
A-CLASS (W169)	A 180 (169.032, 169.332)	85	04/09 06/12
A-CLASS (W169)	A 180 CDI (169.007, 169.307)	80	09/04 06/12
A-CLASS (W169)	A 200 (169.033, 169.333)	100	09/04 06/12
A-CLASS (W169)	A 200 CDI (169.008, 169.308)	103	09/04 06/12
A-CLASS (W169)	A 200 CDI (169.308, 169.008)	100	09/04 06/12
A-CLASS (W169)	A 200 TURBO (169.034, 169.334)	142	09/05 06/12
A-CLASS (W169)	E-CELL (169.090)	50	12/10 06/12
B-CLASS (W245)	B 150 (245.231)	70	03/05 11/11
B-CLASS (W245)	B 160 (245.231)	70	04/09 11/11
B-CLASS (W245)	B 170 (245.232)	85	03/05 11/11
B-CLASS (W245)	B 170 NGT (245.233)	85	04/08 11/11
B-CLASS (W245)	B 180 (245.232)	85	04/09 11/11
B-CLASS (W245)	B 180 CDI (245.207)	80	03/05 11/11
B-CLASS (W245)	B 180 NGT (245.233)	85	04/08 11/11
B-CLASS (W245)	B 200 (245.233)	100	03/05 11/11
B-CLASS (W245)	B 200 CDI (245.208)	100	03/05 11/11
B-CLASS (W245)	B 200 CDI (245.208)	103	03/05 11/11
B-CLASS (W245)	B 200 TURBO (245.234)	142	03/05 11/11
B-CLASS (W245)	F-CELL (242.890)	77	01/10 11/11
CABRIOLET (A124)	300 CE-24 (124.061)	162	04/92 06/93
CABRIOLET (A124)	300 CE-24 (124.061)	170	04/92 06/93
C-CLASS (W202)	C 180 (202.018)	90	03/93 05/00
C-CLASS (W202)	C 180 (202.018)	89	11/94 05/00
C-CLASS (W202)	C 200 (202.020)	100	01/94 05/00
C-CLASS (W202)	C 200 CDI (202.134)	75	03/98 05/00
C-CLASS (W202)	C 200 D (202.120)	55	03/93 05/00
C-CLASS (W202)	C 200 D (202.122)	65	10/96 05/00
C-CLASS (W202)	C 200 Kompressor (202.025)	132	10/95 05/00
C-CLASS (W202)	C 200 Kompressor (202.025)	141	11/96 05/00

C-CLASS (W202)	C 220 (202.022)	110	03/93 05/00
C-CLASS (W202)	C 220 CDI (202.133)	92	09/97 05/00
C-CLASS (W202)	C 220 D (202.021)	55	07/96 05/00
C-CLASS (W202)	C 220 D (202.121)	70	08/93 05/00
C-CLASS (W202)	C 230 (202.023)	110	06/96 06/97
C-CLASS (W202)	C 230 Kompressor (202.024)	142	10/95 05/00
C-CLASS (W202)	C 240 (202.026)	125	06/97 05/00
C-CLASS (W202)	C 250 D (202.125)	83	05/93 05/00
C-CLASS (W202)	C 250 Turbo-D (202.128)	110	10/95 05/00
C-CLASS (W202)	C 280 (202.028)	142	05/93 05/00
C-CLASS (W202)	C 280 (202.029)	145	06/97 05/00
C-CLASS (W202)	C 36 AMG (202.028)	206	05/94 05/00
C-CLASS (W202)	C 43 AMG (202.033)	225	08/97 05/00
C-CLASS (W203)	C 180 (203.035)	95	10/00 05/02
C-CLASS (W203)	C 180 Kompressor (203.046)	105	05/02 02/07
C-CLASS (W203)	C 200 CDI (203.004)	75	02/01 06/03
C-CLASS (W203)	C 200 CDI (203.004)	85	09/00 06/03
C-CLASS (W203)	C 200 CDI (203.007)	90	04/03 02/07
C-CLASS (W203)	C 200 CGI Kompressor (203.043)	125	07/03 02/07
C-CLASS (W203)	C 200 Kompressor (203.042)	120	05/02 02/07
C-CLASS (W203)	C 200 Kompressor (203.045)	120	05/00 06/02
C-CLASS (W203)	C 220 CDI (203.006)	100	05/00 02/07
C-CLASS (W203)	C 220 CDI (203.006)	105	05/00 02/07
C-CLASS (W203)	C 220 CDI (203.008)	110	02/03 02/07
C-CLASS (W203)	C 230 (203.052)	150	01/05 02/07
C-CLASS (W203)	C 230 Kompressor (203.040)	141	02/04 02/07
C-CLASS (W203)	C 240 (203.061)	125	05/00 02/07
C-CLASS (W203)	C 240 4-matic (203.081)	125	07/02 02/07
C-CLASS (W203)	C 270 CDI (203.016)	125	12/00 02/07
C-CLASS (W203)	C 280 (203.054)	170	01/05 02/07
C-CLASS (W203)	C 280 4-matic (203.092)	170	01/05 02/07

C-CLASS (W203)	C 30 CDI AMG (203.018)	170	01/03 02/07
C-CLASS (W203)	C 32 AMG Kompressor (203.065)	260	02/01 02/07
C-CLASS (W203)	C 320 (203.064)	160	05/00 02/07
C-CLASS (W203)	C 320 4-matic (203.084)	160	07/02 02/07
C-CLASS (W203)	C 320 CDI (203.020)	165	01/05 02/07
C-CLASS (W203)	C 350 (203.056)	200	01/05 02/07
C-CLASS (W203)	C 350 4-matic (203.087)	200	01/05 02/07
C-CLASS (W203)	C 55 AMG (203.076)	270	02/04 02/07
C-CLASS Coupe (CL203)	C 160 Kompressor (203.730)	90	05/02 05/08
C-CLASS Coupe (CL203)	C 180 (203.735)	95	03/01 05/02
C-CLASS Coupe (CL203)	C 180 Kompressor (203.746)	105	05/02 05/08
C-CLASS Coupe (CL203)	C 200 CDI (203.707)	90	03/03 05/08
C-CLASS Coupe (CL203)	C 200 CGI Kompressor (203.743)	125	03/03 05/08
C-CLASS Coupe (CL203)	C 200 Kompressor (203.742)	120	05/02 05/08
C-CLASS Coupe (CL203)	C 200 Kompressor (203.745)	120	03/01 05/02
C-CLASS Coupe (CL203)	C 220	120	05/02 05/08
C-CLASS Coupe (CL203)	C 220 CDI	100	03/01 01/04
C-CLASS Coupe (CL203)	C 220 CDI (203.706)	105	03/01 01/04
C-CLASS Coupe (CL203)	C 220 CDI (203.708)	110	02/04 05/08
C-CLASS Coupe (CL203)	C 230 (203.752)	150	01/05 05/08
C-CLASS Coupe (CL203)	C 230 Kompressor (203.740)	141	05/02 05/08
C-CLASS Coupe (CL203)	C 230 Kompressor (203.747)	145	03/01 05/02
C-CLASS Coupe (CL203)	C 30 CDI AMG (203.718)	170	09/02 05/08
C-CLASS Coupe (CL203)	C 32 AMG Kompressor (203.765)	260	05/02 05/08
C-CLASS Coupe (CL203)	C 320 (203.764)	160	09/02 05/08
C-CLASS Coupe (CL203)	C 350 (203.756)	200	01/05 05/08
C-CLASS T-Model (S202)	C 180 T (202.078)	90	06/96 09/00
C-CLASS T-Model (S202)	C 180 T (202.081)	95	09/00 03/01
C-CLASS T-Model (S202)	C 200 T (202.080)	100	06/96 03/01
C-CLASS T-Model (S202)	C 200 T CDI (202.194)	75	03/98 03/01
C-CLASS T-Model (S202)	C 200 T D (202.180)	65	10/96 03/01

C-CLASS T-Model (S202)	C 200 T Kompressor (202.082)	141	11/96 03/01
C-CLASS T-Model (S202)	C 200 T Kompressor (202.087)	120	09/00 03/01
C-CLASS T-Model (S202)	C 220 T CDI (202.193)	92	09/97 03/01
C-CLASS T-Model (S202)	C 220 T D (202.182)	55	06/96 03/01
C-CLASS T-Model (S202)	C 220 T D (202.182)	70	06/96 09/98
C-CLASS T-Model (S202)	C 230 T (202.083)	110	06/96 06/98
C-CLASS T-Model (S202)	C 230 T Kompressor (202.085)	142	06/97 09/00
C-CLASS T-Model (S202)	C 240 T (202.086)	125	06/97 09/00
C-CLASS T-Model (S202)	C 240 T (202.088)	125	09/00 03/01
C-CLASS T-Model (S202)	C 250 T Turbo-D (202.188)	110	06/96 03/01
C-CLASS T-Model (S202)	C 280 T (202.089)	145	06/97 03/01
C-CLASS T-Model (S202)	C 43 AMG (202.093)	225	08/97 03/01
C-CLASS T-Model (S203)	C 180 (203.235)	95	03/01 05/02
C-CLASS T-Model (S203)	C 180 Kompressor (203.246)	105	05/02 08/07
C-CLASS T-Model (S203)	C 200 CDI (203.204)	85	03/01 08/07
C-CLASS T-Model (S203)	C 200 CDI (203.204, 203.207)	75	03/01 08/07
C-CLASS T-Model (S203)	C 200 CDI (203.207)	90	04/03 08/07
C-CLASS T-Model (S203)	C 200 CGI Kompressor (203.243)	125	07/03 08/07
C-CLASS T-Model (S203)	C 200 Kompressor (203.242)	120	05/02 08/07
C-CLASS T-Model (S203)	C 200 Kompressor (203.245)	120	03/01 05/02
C-CLASS T-Model (S203)	C 220 CDI (203.206)	105	03/01 08/07
C-CLASS T-Model (S203)	C 220 CDI (203.208)	110	02/04 08/07
C-CLASS T-Model (S203)	C 220 CDI (203.208)	100	08/06 08/07
C-CLASS T-Model (S203)	C 230 (203.252)	150	01/05 08/07
C-CLASS T-Model (S203)	C 230 Kompressor (203.240)	141	02/04 08/07
C-CLASS T-Model (S203)	C 240 (203.261)	125	03/01 08/07
C-CLASS T-Model (S203)	C 240 4-matic (203.281)	125	07/02 08/07
C-CLASS T-Model (S203)	C 270 CDI (203.216)	120	03/01 08/07
C-CLASS T-Model (S203)	C 270 CDI (203.216)	125	03/01 08/07
C-CLASS T-Model (S203)	C 280 (203.254)	170	01/05 08/07
C-CLASS T-Model (S203)	C 280 4-matic (203.292)	170	01/05 08/07

C-CLASS T-Model (S203)	C 30 CDI AMG (203.218)	170	01/03 08/07
C-CLASS T-Model (S203)	C 32 AMG Kompressor (203.265)	260	03/01 08/07
C-CLASS T-Model (S203)	C 320 (203.264)	160	03/01 08/07
C-CLASS T-Model (S203)	C 320 4-matic (203.284)	160	07/02 08/07
C-CLASS T-Model (S203)	C 320 CDI (203.220)	165	06/05 08/07
C-CLASS T-Model (S203)	C 350 (203.256)	200	01/05 08/07
C-CLASS T-Model (S203)	C 350 4-matic (203.287)	200	01/05 08/07
C-CLASS T-Model (S203)	C 55 AMG (203.276)	270	02/04 08/07
CLC-CLASS (CL203)	CLC 160 (203.731)	95	02/09 06/11
CLC-CLASS (CL203)	CLC 180 Kompressor (203.746)	105	05/08 06/11
CLC-CLASS (CL203)	CLC 200 CDI (203.707)	90	05/08 06/11
CLC-CLASS (CL203)	CLC 200 Kompressor (203.741)	135	05/08 06/11
CLC-CLASS (CL203)	CLC 220 CDI (203.708)	110	05/08 06/11
CLC-CLASS (CL203)	CLC 230 (203.752)	150	05/08 06/11
CLC-CLASS (CL203)	CLC 350 (203.756)	200	05/08 06/11
CLK (C208)	200 (208.335)	100	06/97 06/02
CLK (C208)	200 Kompressor (208.344)	120	06/00 06/02
CLK (C208)	200 Kompressor (208.345)	141	06/97 06/00
CLK (C208)	230 Kompressor (208.347)	142	06/97 06/00
CLK (C208)	230 Kompressor (208.348)	145	06/00 06/02
CLK (C208)	320 (208.365)	160	06/97 06/02
CLK (C208)	430 (208.370)	205	07/98 06/02
CLK (C208)	5.4	260	10/98 07/02
CLK (C208)	55 AMG (208.374)	255	08/99 06/02
CLK (C209)	200 CGI (209.343)	125	07/03 05/09
CLK (C209)	200 Kompressor (209.341)	135	10/06 05/09
CLK (C209)	200 Kompressor (209.342)	120	09/02 05/09
CLK (C209)	220 CDI (209.308)	100	01/05 05/09
CLK (C209)	220 CDI (209.308)	110	01/05 05/09
CLK (C209)	240 (209.361)	120	06/02 05/09
CLK (C209)	240 (209.361)	125	06/02 05/09

CLK (C209)	270 CDI (209.316)	120	02/03 06/05
CLK (C209)	270 CDI (209.316)	125	10/02 05/09
CLK (C209)	280 (209.354)	170	01/05 05/09
CLK (C209)	320 (209.365)	160	06/02 05/09
CLK (C209)	320 CDI (209.320)	165	01/05 05/09
CLK (C209)	350 (209.356)	200	01/05 05/09
CLK (C209)	500 (209.372)	285	06/06 05/09
CLK (C209)	500 (209.375)	225	06/02 05/09
CLK (C209)	55 AMG (209.376)	270	09/02 05/09
CLK (C209)	63 AMG (209.377)	354	04/06 05/09
CLK (C209)	63 AMG (209.377)	373	05/07 05/09
CLK (C209)	DTM AMG (209.3_)	428	06/04 10/05
CLK Convertible (A208)	200 (208.435)	100	03/98 03/02
CLK Convertible (A208)	200 Kompressor (208.444)	120	06/00 03/02
CLK Convertible (A208)	200 Kompressor (208.445)	141	03/98 06/00
CLK Convertible (A208)	230 Kompressor (208.447)	142	03/98 06/00
CLK Convertible (A208)	230 Kompressor (208.448)	145	06/00 03/02
CLK Convertible (A208)	320 (208.465)	160	03/98 03/02
CLK Convertible (A208)	430 (208.470)	205	09/98 03/02
CLK Convertible (A208)	55 AMG (208.474)	255	01/00 03/02
CLK Convertible (A209)	CLK 200 CGI (209.343)	125	07/03 03/10
CLK Convertible (A209)	CLK 200 Kompressor (209.441)	135	10/06 03/10
CLK Convertible (A209)	CLK 200 Kompressor (209.442)	120	02/03 03/10
CLK Convertible (A209)	CLK 240 (209.461)	125	02/03 03/10
CLK Convertible (A209)	CLK 280 (209.454)	170	01/05 03/10
CLK Convertible (A209)	CLK 320 (209.465)	160	02/03 03/10
CLK Convertible (A209)	CLK 320 CDI (209.420)	165	03/05 03/10
CLK Convertible (A209)	CLK 350 (209.456)	200	01/05 03/10
CLK Convertible (A209)	CLK 500 (209.472)	285	06/06 03/10
CLK Convertible (A209)	CLK 500 (209.475)	225	02/03 03/10
CLK Convertible (A209)	CLK 55 AMG (209.476)	270	02/03 03/10

CLK Convertible (A209)	CLK 63 AMG (209.477)	354	04/06 03/10
CLK Convertible (A209)	CLK AMG DTM (209.4_)	428	06/04 10/05
E-CLASS (W124)	E 200 (124.019)	100	06/93 06/95
E-CLASS (W124)	E 200 D (124.120)	55	06/93 06/95
E-CLASS (W124)	E 220 (124.022)	110	06/93 06/95
E-CLASS (W124)	E 250 D (124.126, 124.129)	83	07/93 06/95
E-CLASS (W124)	E 250 Turbo-D (124.128)	93	06/93 06/95
E-CLASS (W124)	E 280 (124.028)	145	06/93 06/95
E-CLASS (W124)	E 280 (124.029)	142	06/93 06/95
E-CLASS (W124)	E 300 4-matic (124.230)	132	06/93 06/95
E-CLASS (W124)	E 300 D (124.131)	100	07/93 06/95
E-CLASS (W124)	E 300 Turbo-D (124.133)	108	06/93 06/95
E-CLASS (W124)	E 300 Turbo-D 4-matic (124.333)	108	06/93 06/95
E-CLASS (W124)	E 320 (124.032)	162	06/93 06/95
E-CLASS (W124)	E 36 AMG	200	07/94 01/95
E-CLASS (W124)	E 420 (124.034)	205	06/93 06/95
E-CLASS (W124)	E 500 (124.036)	235	06/93 06/95
E-CLASS (W124)	E 60 AMG (124.036)	280	05/94 06/95
E-CLASS (W210)	E 200 (210.035)	100	06/95 08/00
E-CLASS (W210)	E 200 CDI (210.007)	75	06/98 03/02
E-CLASS (W210)	E 200 CDI (210.007)	85	07/99 03/02
E-CLASS (W210)	E 200 D (210.003)	65	01/96 03/02
E-CLASS (W210)	E 200 Kompressor (210.045)	137	06/97 03/02
E-CLASS (W210)	E 200 Kompressor (210.048)	120	08/00 03/02
E-CLASS (W210)	E 220 CDI (210.006)	92	06/98 07/99
E-CLASS (W210)	E 220 CDI (210.006)	100	07/99 03/02
E-CLASS (W210)	E 220 CDI (210.006)	105	07/99 03/02
E-CLASS (W210)	E 220 D	55	05/96 03/02
E-CLASS (W210)	E 220 D (210.004)	70	06/95 07/99
E-CLASS (W210)	E 230 (210.037)	110	06/95 06/97
E-CLASS (W210)	E 240 (210.061)	125	06/97 08/00

E-CLASS (W210)	E 240 (210.062)	125	08/00 03/02
E-CLASS (W210)	E 250 D (210.010)	83	06/95 07/99
E-CLASS (W210)	E 250 Turbo-D (210.015)	110	06/97 07/99
E-CLASS (W210)	E 270 CDI (210.016)	120	07/99 03/02
E-CLASS (W210)	E 270 CDI (210.016)	125	07/99 03/02
E-CLASS (W210)	E 280 (210.053)	142	01/96 06/97
E-CLASS (W210)	E 280 (210.063)	150	12/96 03/02
E-CLASS (W210)	E 280 4-matic (210.081)	150	12/96 03/02
E-CLASS (W210)	E 290 Turbo-D (210.017)	95	03/96 07/99
E-CLASS (W210)	E 300 D (210.020)	100	06/95 06/97
E-CLASS (W210)	E 300 Turbo-D (210.025)	130	12/96 07/99
E-CLASS (W210)	E 320 (210.055)	162	06/95 06/97
E-CLASS (W210)	E 320 (210.065)	165	06/97 03/02
E-CLASS (W210)	E 320 4-matic (210.082)	165	06/97 03/02
E-CLASS (W210)	E 320 CDI (210.026)	145	07/99 03/02
E-CLASS (W210)	E 420 (210.072)	205	01/96 06/97
E-CLASS (W210)	E 430 (210.070)	205	06/97 03/02
E-CLASS (W210)	E 430 4-matic (210.083)	205	05/99 03/02
E-CLASS (W210)	E 50 AMG (210.072)	255	02/96 08/97
E-CLASS (W210)	E 55 AMG (210.074)	260	08/97 03/02
E-CLASS T-Model (S124)	E 200 T (124.079)	100	06/93 06/96
E-CLASS T-Model (S124)	E 220 T (124.082)	110	06/93 06/96
E-CLASS T-Model (S124)	E 250 TD (124.186)	83	06/93 06/96
E-CLASS T-Model (S124)	E 250 Turbo D	93	06/93 06/96
E-CLASS T-Model (S124)	E 280 T (124.088)	142	06/93 06/96
E-CLASS T-Model (S124)	E 280 T (124.088)	145	06/93 06/96
E-CLASS T-Model (S124)	E 300 T 4-matic (124.290)	132	06/93 06/96
E-CLASS T-Model (S124)	E 300 T Turbo-D (124.193)	108	06/93 06/96
E-CLASS T-Model (S124)	E 300 T Turbo-D 4-matic (124.393)	108	06/93 06/96
E-CLASS T-Model (S124)	E 300 TD (124.191)	100	06/93 06/96
E-CLASS T-Model (S124)	E 320 T (124.092)	162	06/93 06/96

E-CLASS T-Model (S124)	E 36 T AMG (124.092)	200	05/94 06/96
KOMBI T-Model (S124)	200 T (124.080)	77	01/86 05/90
KOMBI T-Model (S124)	200 T (124.080)	80	09/85 08/89
KOMBI T-Model (S124)	200 T D (124.180)	53	09/85 08/91
KOMBI T-Model (S124)	200 T D (124.180)	55	09/88 08/91
KOMBI T-Model (S124)	200 TE	90	09/88 12/89
KOMBI T-Model (S124)	200 TE (124.079)	100	05/86 06/93
KOMBI T-Model (S124)	200 TE (124.081)	87	09/88 08/92
KOMBI T-Model (S124)	220 TE (124.082)	110	10/92 05/93
KOMBI T-Model (S124)	230 TE (124.083)	97	09/85 08/92
KOMBI T-Model (S124)	230 TE (124.083)	100	09/85 08/92
KOMBI T-Model (S124)	230 TE Cat (124.083)	97	06/89 08/92
KOMBI T-Model (S124)	250 T D (124.185)	69	01/89 06/93
KOMBI T-Model (S124)	250 T D (124.185)	66	09/85 06/93
KOMBI T-Model (S124)	250 TD Turbo (124.188)	93	03/88 07/93
KOMBI T-Model (S124)	260 TE FGST.	122	09/85 12/89
KOMBI T-Model (S124)	260 TE FGST.	118	09/89 08/92
KOMBI T-Model (S124)	280 TE (124.088)	145	10/92 06/93
KOMBI T-Model (S124)	300 T D (124.190)	81	01/89 06/93
KOMBI T-Model (S124)	300 T D (124.190)	83	01/89 06/93
KOMBI T-Model (S124)	300 T D (124.190)	80	09/86 06/93
KOMBI T-Model (S124)	300 T Turbo-D	105	09/86 01/89
KOMBI T-Model (S124)	300 T Turbo-D (124.193)	108	01/89 06/93
KOMBI T-Model (S124)	300 T Turbo-D 4-matic (124.393)	108	01/89 06/93
KOMBI T-Model (S124)	300 T Turbo-D 4-matic (124.393)	105	09/86 01/89
KOMBI T-Model (S124)	300 TD T	100	06/92 05/93
KOMBI T-Model (S124)	300 TE (124.090)	132	01/86 08/92
KOMBI T-Model (S124)	300 TE (124.090)	138	01/86 12/89
KOMBI T-Model (S124)	300 TE 4-matic (124.290)	132	09/86 06/93
KOMBI T-Model (S124)	300 TE 4-matic (124.290)	138	09/86 12/89
KOMBI T-Model (S124)	300 TE-24 (124.091)	162	09/89 08/92

KOMBI T-Model (S124)	300 TE-24 (124.091)	170	09/89 08/92
KOMBI T-Model (S124)	320 TE (124.092)	162	10/92 06/93
SALOON (W124)	200	77	01/86 10/92
SALOON (W124)	200 (124.020)	75	01/86 05/90
SALOON (W124)	200 (124.020)	80	12/85 05/90
SALOON (W124)	200 D (124.120)	55	08/89 06/93
SALOON (W124)	200 D (124.120)	53	12/84 08/89
SALOON (W124)	200 E (124.019)	100	10/92 06/93
SALOON (W124)	200 E (124.021)	87	09/88 08/93
SALOON (W124)	200 E (124.021)	90	09/88 12/89
SALOON (W124)	220 E (124.022)	110	10/92 06/93
SALOON (W124)	230 E (124.023)	100	01/85 06/93
SALOON (W124)	230 E (124.023)	97	12/84 03/92
SALOON (W124)	230 E Cat (124.023)	97	06/89 06/93
SALOON (W124)	250 D (124.125)	69	01/89 06/93
SALOON (W124)	250 D (124.125)	66	04/85 06/93
SALOON (W124)	250 Turbo-D (124.128)	93	09/88 06/93
SALOON (W124)	260 E (124.026)	118	09/85 08/92
SALOON (W124)	260 E (124.026)	122	09/85 12/89
SALOON (W124)	260 E 4-matic (124.226)	118	09/86 08/92
SALOON (W124)	260 E 4-matic (124.226)	122	12/86 12/89
SALOON (W124)	280 E (124.028)	145	10/92 06/93
SALOON (W124)	300 D (124.130)	81	06/90 06/93
SALOON (W124)	300 D (124.130)	83	08/89 06/93
SALOON (W124)	300 D (124.130)	80	12/84 08/89
SALOON (W124)	300 D 4-matic (124.330)	83	08/89 06/93
SALOON (W124)	300 D 4-matic (124.330)	80	09/86 08/92
SALOON (W124)	300 E	138	01/85 12/85
SALOON (W124)	300 E	138	06/85 08/92
SALOON (W124)	300 E (124.030)	132	08/85 08/92
SALOON (W124)	300 E 4-matic	138	09/86 02/92

SALOON (W124)	300 E 4-matic (124.230)	132	09/86 06/93
SALOON (W124)	300 E-24 (124.031)	162	09/88 08/92
SALOON (W124)	300 E-24 (124.031)	170	09/88 08/92
SALOON (W124)	300 Turbo-D (124.133)	105	09/86 09/88
SALOON (W124)	300 Turbo-D (124.133)	108	09/88 06/93
SALOON (W124)	300 Turbo-D 4-matic (124.333)	108	01/88 06/93
SALOON (W124)	300 Turbo-D 4-matic (124.333)	105	09/86 09/88
SALOON (W124)	320 E (124.032)	162	10/92 06/93
SALOON (W124)	400 E 4.2 (124.034)	205	10/92 06/93
SALOON (W124)	500 E (124.036)	240	01/91 06/93
SL (R129)	280 (129.058)	142	08/93 10/01
SL (R129)	280 (129.059)	150	05/98 10/01
SL (R129)	300 SL (129.060)	140	03/89 08/93
SL (R129)	300 SL-24 (129.061)	170	03/89 07/93
SL (R129)	320 (129.063)	170	09/93 10/01
SL (R129)	320 (129.064)	165	05/98 10/01
SL (R129)	500 (129.067)	235	09/92 10/01
SL (R129)	500 (129.068)	225	05/98 10/01
SL (R129)	500 SL (129.066)	240	09/89 08/92
SL (R129)	55 AMG	260	03/00 10/01
SL (R129)	60 AMG (129.067)	280	05/97 10/01
SL (R129)	600 (129.076)	290	07/92 10/01
SL (R129)	600 SL (129.076)	300	02/92 08/94
SLK (R170)	200 (170.435)	100	09/96 03/00
SLK (R170)	200 Kompressor (170.444)	120	03/00 04/04
SLK (R170)	200 Kompressor (170.445)	141	10/96 03/00
SLK (R170)	230 Kompressor (170.447)	142	09/96 03/00
SLK (R170)	230 Kompressor (170.449)	145	03/00 04/04
SLK (R170)	32 AMG Kompressor (170.466)	260	03/01 04/04
SLK (R170)	320 (170.465)	160	03/00 04/04
SLK (R171)	200 Kompressor (171.442)	120	03/04 02/11

SLK (R171)	200 Kompressor (171.445)	135	01/08 02/11
SLK (R171)	280 (171.454)	170	01/05 02/11
SLK (R171)	300 (171.454)	170	04/09 02/11
SLK (R171)	350 (171.456)	200	06/04 02/11
SLK (R171)	350 (171.458)	224	01/08 02/11
SLK (R171)	55 AMG (171.473)	265	06/04 02/11
SLK (R171)	55 AMG (171.473)	294	06/06 02/11
VANEO (414)	1.6 (414.700)	60	02/02 07/05
VANEO (414)	1.6 (414.700)	75	02/02 07/05
VANEO (414)	1.7 CDI (414.700)	55	02/02 07/05
VANEO (414)	1.7 CDI (414.700)	67	02/02 07/05
VANEO (414)	1.9 (414.700)	92	02/02 07/05

OE Part number

Compatible OE codes

CHRYSLER	05096552AA
CHRYSLER	05143676AA
CHRYSLER	5096552AA
CHRYSLER	5143676AA
MERCEDES-BENZ	1244200320
MERCEDES-BENZ	1244200520
MERCEDES-BENZ	1244200720
MERCEDES-BENZ	1244200820
MERCEDES-BENZ	2014200820
MERCEDES-BENZ	2014200920
MERCEDES-BENZ	2034200120
MERCEDES-BENZ	2104200820
MERCEDES-BENZ	4144200320
MERCEDES-BENZ	A2034200120
MERCEDES-BENZ	A4144200320