

Disc technical data

Axle Front

Diameter
255 mm

Overall height (A)
75,1 mm

Centring diameter (B)
63 mm

Number of holes (C)
4

Thickness (TH)
12,5 mm

Minimum thickness
11,1 mm

Tightening torque
120 Nm

Unit per box
2

EANCode
8020584328828

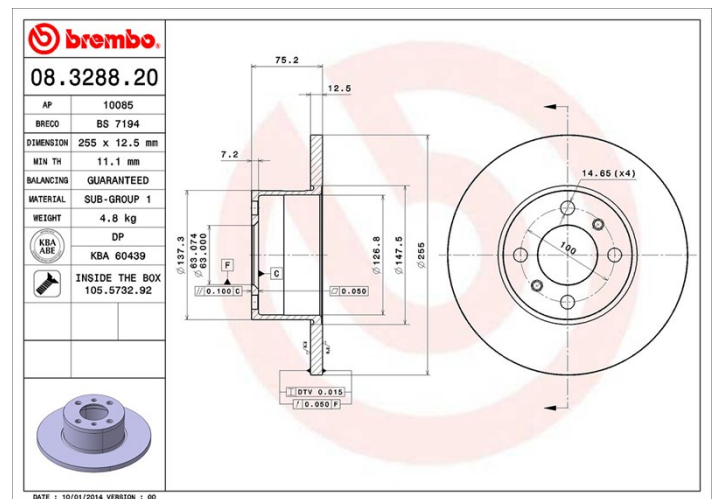


Brand part numbers

Brembo
08.3288.20

AP
10085

Breco
BS 7194



Technical specifications

Disc with fixing screw

By supplying the fixing screw in the disc box, Brembo provides extra help to the mechanic if the original screw is rusty or worn to such an extent as to prevent or make it difficult to reuse.



Compatible vehicles

BMW

Model	Type	Kw	Year
3 (E21)	315	55	03/81 03/84
3 (E21)	316	66	08/75 08/80
3 (E21)	316	66	09/80 12/82
3 (E21)	318	72	08/75 08/80
3 (E21)	318 i	77	11/79 08/82
3 (E21)	320	80	06/75 07/79
3 (E21)	320 i	92	06/75 08/82

3 (E21)	320/6	90	08/77 10/82
3 (E30)	315	55	09/82 12/91

OE Part number

Compatible OE codes

BMW	34111116675
BMW	34111119248
BMW	34111119249