

Disc 08.4487.10

brembo
AFTERMARKET

Disc technical data

Axle Rear

Diameter
284 mm

Overall height (A)
61,1 mm

Centring diameter (B)
75 mm

Number of holes (C)
5

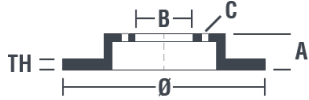
Thickness (TH)
10 mm

Minimum thickness
8,4 mm

Tightening torque 
120 Nm

Unit per box
2

EANCode
8020584448717



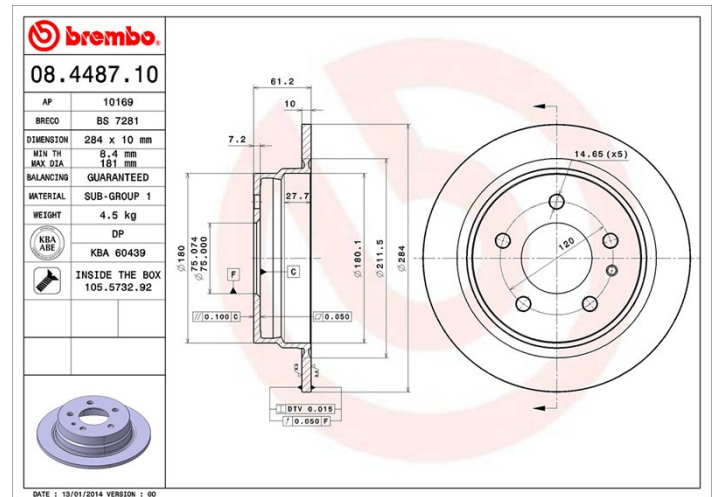
brembo

Brand part numbers

Brembo
08.4487.10

AP
10169

Breco
BS 7281



Technical specifications

Disc with fixing screw

By supplying the fixing screw in the disc box, Brembo provides extra help to the mechanic if the original screw is rusty or worn to such an extent as to prevent or make it difficult to reuse.



Compatible vehicles

BMW

Model	Type	Kw	Year
5 (E28)	518	66	06/81 09/84
5 (E28)	518 i	75	05/81 12/87
5 (E28)	518 i	77	05/81 12/87
5 (E28)	520 i	92	06/81 12/87
5 (E28)	520 i	95	08/85 12/87
5 (E28)	520 i	110	12/86 12/87
5 (E28)	524 d	63	03/86 12/87

5 (E28)	524 td	85	09/83 12/87
5 (E28)	525 e	92	05/83 12/87
5 (E28)	525 e	90	09/81 12/87
5 (E28)	525 e	95	12/84 12/87
5 (E28)	525 i	110	06/81 12/87
5 (E28)	528 i	135	06/81 12/87
5 (E28)	535 i	162	01/85 12/87
5 (E28)	535 i, M 535 i	136	01/85 12/87
5 (E28)	535 i, M 535 i	141	01/85 12/87
5 (E28)	M5	210	08/85 12/87
6 (E24)	628 CSi	135	09/79 08/87
6 (E24)	635 CSi	160	06/78 04/82
6 (E24)	635 CSi	155	07/87 04/89
6 (E24)	635 CSi	141	12/77 04/89
6 (E24)	635 CSi	136	12/84 12/86

OE Part number

Compatible OE codes

BMW	34211121387
BMW	34211152571
BMW	34211162968
BMW	34211163140