

# Disc 08.4738.24

**brembo**  
AFTERMARKET

## Disc technical data

**Axle** Rear

**Diameter**  
258 mm

**Overall height (A)**  
53,5 mm

**Centring diameter (B)**  
67 mm

**Number of holes (C)**  
5

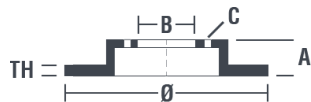
**Thickness (TH)**  
9 mm

**Minimum thickness**  
7,3 mm

**Tightening torque**   
110 Nm

**Unit per box**  
2

**EANCode**  
8020584013175



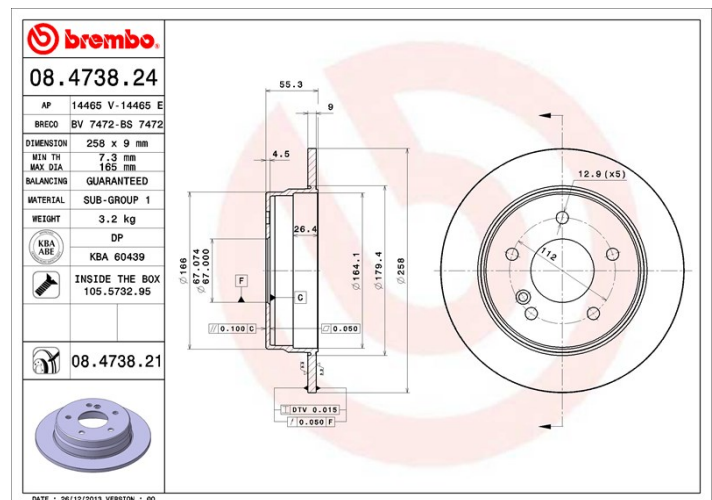
**brembo**

## Brand part numbers

**Brembo**  
08.4738.24

**AP**  
14465 E

**Breco**  
BS 7472



## Technical specifications

### Disc with fixing screw

By supplying the fixing screw in the disc box, Brembo provides extra help to the mechanic if the original screw is rusty or worn to such an extent as to prevent or make it difficult to reuse.



## Compatible vehicles

### MERCEDES-BENZ

Model	Type	Kw	Year
C-CLASS (W202)	C 180 (202.018)	90	03/93 05/00
C-CLASS (W202)	C 180 (202.018)	89	11/94 05/00
C-CLASS (W202)	C 200 (202.020)	100	01/94 05/00
C-CLASS (W202)	C 200 CDI (202.134)	75	03/98 05/00
C-CLASS (W202)	C 200 D (202.120)	55	03/93 05/00
C-CLASS (W202)	C 200 D (202.122)	65	10/96 05/00
C-CLASS (W202)	C 220 (202.022)	110	03/93 05/00
C-CLASS (W202)	C 220 CDI (202.133)	92	09/97 05/00

C-CLASS (W202)	C 220 D (202.021)	55	07/96 05/00
C-CLASS (W202)	C 220 D (202.121)	70	08/93 05/00
C-CLASS (W202)	C 230 (202.023)	110	06/96 06/97
C-CLASS (W202)	C 250 D (202.125)	83	05/93 05/00
C-CLASS (W202)	C 280 (202.028)	142	05/93 05/00

## OE Part number

### Compatible OE codes

MERCEDES-BENZ	2024230012
MERCEDES-BENZ	A2024230012