
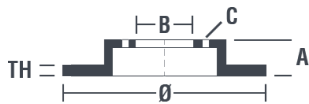


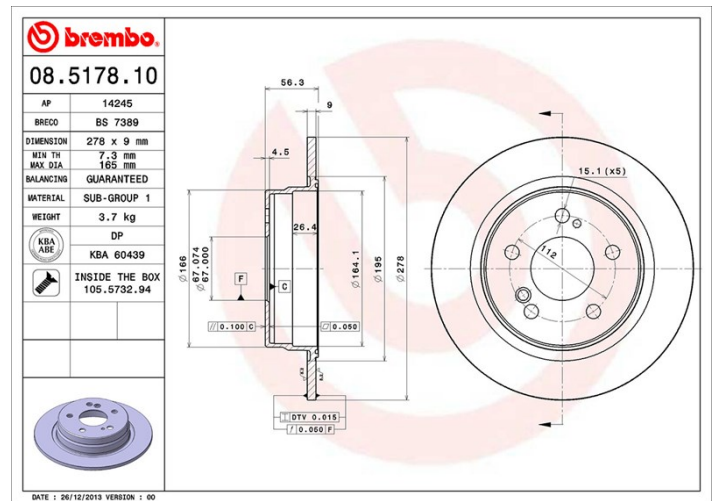
Disc technical data

Axle Rear	Diameter 278 mm
Overall height (A) 56,3 mm	Centring diameter (B) 67 mm
Number of holes (C) 5	Thickness (TH) 9 mm
Minimum thickness 7,3 mm	Tightening torque  110 Nm
Unit per box 2	EANCode 8020584517819



Brand part numbers

Brembo 08.5178.10	AP 14245	Breco BS 7389
-----------------------------	--------------------	-------------------------



Technical specifications

Disc with fixing screw

By supplying the fixing screw in the disc box, Brembo provides extra help to the mechanic if the original screw is rusty or worn to such an extent as to prevent or make it difficult to reuse.



Compatible vehicles

MERCEDES-BENZ

Model	Type	Kw	Year
CABRIOLET (A124)	300 CE-24 (124.061)	162	04/92 06/93
CABRIOLET (A124)	300 CE-24 (124.061)	170	04/92 06/93
COUPE (C124)	300 CE-24 (124.051)	162	09/89 12/92
COUPE (C124)	300 CE-24 (124.051)	170	09/89 12/92
COUPE (C124)	320 CE (124.052)	162	10/92 05/93
E-CLASS (W124)	E 250 D (124.126, 124.129)	83	07/93 06/95
E-CLASS (W124)	E 280 (124.029)	142	06/93 06/95
E-CLASS (W124)	E 320 (124.032)	162	06/93 06/95

E-CLASS Convertible (A124)	E 200 (124.060)	100	06/93 03/98
E-CLASS Convertible (A124)	E 220 (124.062)	110	06/93 03/98
E-CLASS Convertible (A124)	E 320 (124.066)	162	06/93 03/98
E-CLASS Coupe (C124)	E 320 (124.052)	162	06/93 06/97
E-CLASS T-Model (S124)	E 200 T (124.079)	100	06/93 06/96
E-CLASS T-Model (S124)	E 220 T (124.082)	110	06/93 06/96
E-CLASS T-Model (S124)	E 250 TD (124.186)	83	06/93 06/96
E-CLASS T-Model (S124)	E 250 Turbo D	93	06/93 06/96
E-CLASS T-Model (S124)	E 280 T (124.088)	142	06/93 06/96
E-CLASS T-Model (S124)	E 280 T (124.088)	145	06/93 06/96
E-CLASS T-Model (S124)	E 300 T 4-matic (124.290)	132	06/93 06/96
E-CLASS T-Model (S124)	E 300 T Turbo-D (124.193)	108	06/93 06/96
E-CLASS T-Model (S124)	E 300 T Turbo-D 4-matic (124.393)	108	06/93 06/96
E-CLASS T-Model (S124)	E 300 TD (124.191)	100	06/93 06/96
KOMBI T-Model (S124)	200 T (124.080)	77	01/86 05/90
KOMBI T-Model (S124)	200 T (124.080)	80	09/85 08/89
KOMBI T-Model (S124)	200 T D (124.180)	53	09/85 08/91
KOMBI T-Model (S124)	200 T D (124.180)	55	09/88 08/91
KOMBI T-Model (S124)	200 TE	90	09/88 12/89
KOMBI T-Model (S124)	200 TE (124.079)	100	05/86 06/93
KOMBI T-Model (S124)	200 TE (124.081)	87	09/88 08/92
KOMBI T-Model (S124)	220 TE (124.082)	110	10/92 05/93
KOMBI T-Model (S124)	230 TE (124.083)	97	09/85 08/92
KOMBI T-Model (S124)	230 TE (124.083)	100	09/85 08/92
KOMBI T-Model (S124)	230 TE Cat (124.083)	97	06/89 08/92
KOMBI T-Model (S124)	250 T D (124.185)	69	01/89 06/93
KOMBI T-Model (S124)	250 T D (124.185)	66	09/85 06/93
KOMBI T-Model (S124)	250 TD Turbo (124.188)	93	03/88 07/93
KOMBI T-Model (S124)	260 TE FGST.	122	09/85 12/89
KOMBI T-Model (S124)	260 TE FGST.	118	09/89 08/92
KOMBI T-Model (S124)	280 TE (124.088)	145	10/92 06/93
KOMBI T-Model (S124)	300 T D (124.190)	81	01/89 06/93
KOMBI T-Model (S124)	300 T D (124.190)	83	01/89 06/93

KOMBI T-Model (S124)	300 T D (124.190)	80	09/86 06/93
KOMBI T-Model (S124)	300 T Turbo-D	105	09/86 01/89
KOMBI T-Model (S124)	300 T Turbo-D (124.193)	108	01/89 06/93
KOMBI T-Model (S124)	300 T Turbo-D 4-matic (124.393)	108	01/89 06/93
KOMBI T-Model (S124)	300 T Turbo-D 4-matic (124.393)	105	09/86 01/89
KOMBI T-Model (S124)	300 TD T	100	06/92 05/93
KOMBI T-Model (S124)	300 TE (124.090)	132	01/86 08/92
KOMBI T-Model (S124)	300 TE (124.090)	138	01/86 12/89
KOMBI T-Model (S124)	300 TE 4-matic (124.290)	132	09/86 06/93
KOMBI T-Model (S124)	300 TE 4-matic (124.290)	138	09/86 12/89
SALOON (W124)	300 E-24 (124.031)	162	09/88 08/92
SALOON (W124)	300 E-24 (124.031)	170	09/88 08/92
SALOON (W124)	320 E (124.032)	162	10/92 06/93

OE Part number

Compatible OE codes

MERCEDES-BENZ	1244230512
MERCEDES-BENZ	A1244230512