



# BRAKE DISC

## 08.5213.10

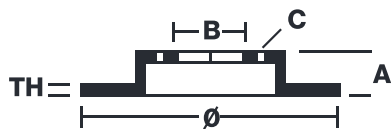
The 08.5213.10 brake disc is synonymous with reliability

The Brembo brake disc is fully interchangeable with an Original Equipment brake disc. The control of the entire production cycle allows Brembo to offer brake discs with outstanding performance levels, reliability, durability and comfort in all conditions of use. All Brembo brake discs are accompanied by the ECE-R90 homologation.

- ✓ OE-equivalent
- ✓ Brembo quality
- ✓ ECE-R90 certificate
- ✓ Safety



### Technical specifications



EAN code  
8020584521311

Axle  
Rear

Diameter Ø  
245 mm

Thickness (TH)  
10 mm

Height (A)  
40 mm

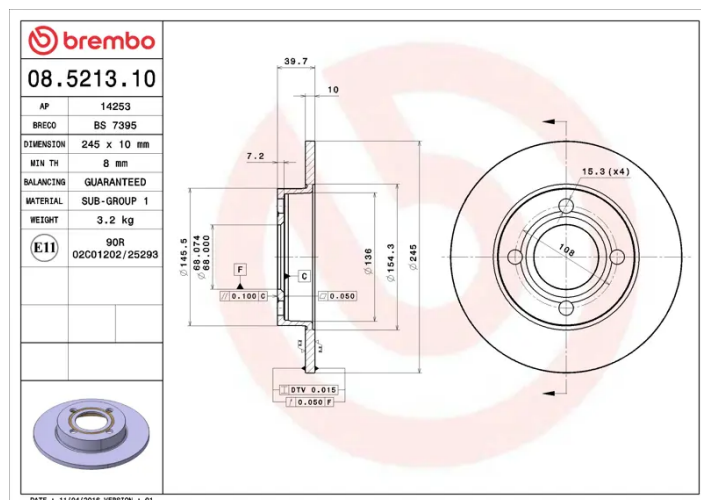
Number of holes (C)  
4

Brake disc type  
Solid

Centering (B)  
68 mm

Min. thickness  
8 mm

Tightening torque  
120 Nm



COMPATIBLE VEHICLES

## COMPATIBLE OE PART NUMBERS

853615601	AUDI
8A0615601	AUDI