



Disc technical data

Axle Rear	Diameter 300 mm
Overall height (A) 68,1 mm	Centring diameter (B) 75 mm
Number of holes (C) 5	Thickness (TH) 10 mm
Minimum thickness 8,4 mm	Tightening torque  120 Nm
Unit per box 2	EANCode 8020584544013



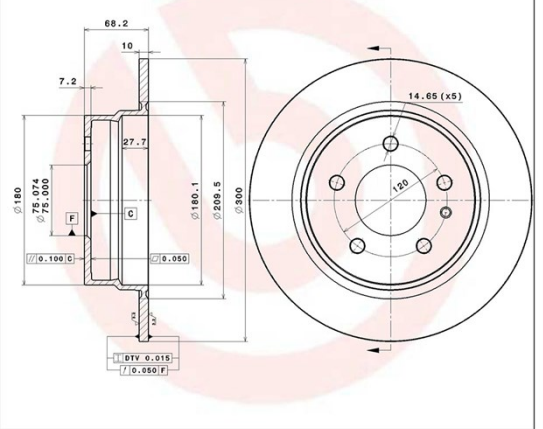
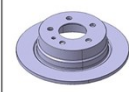


08.5440.10

AP	14308
BRECO	BS 7418
DIMENSION	300 x 10 mm
MIN TH	8.4 mm
MAX DIA	181 mm
BALANCING	GUARANTEED
MATERIAL	SUB-GROUP 2
WEIGHT	5.1 kg
KBA	08 GL H 04
INSIDE THE BOX	KBA 61108
INSIDE THE BOX	105.5732.92

HC

DATE : 14/01/2014 VERSION : 00

Brand part numbers

Brembo 08.5440.10	AP 14308	Breco BS 7418
-----------------------------	--------------------	-------------------------

Technical specifications

High Carbon disc (HC)

Thanks to the high percentage of carbon in the chemical composition of the cast iron, the HC disc provides greater damping coefficient, able to reduce vibration and noise while driving.



Disc with fixing screw

By supplying the fixing screw in the disc box, Brembo provides extra help to the mechanic if the original screw is rusty or worn to such an extent as to prevent or make it difficult to reuse.



Compatible vehicles

BMW			
Model	Type	Kw	Year
7 (E32)	730 i,iL	138	07/86 03/94
7 (E32)	730 i,iL	145	12/86 09/94
7 (E32)	730 i,iL V8	160	04/92 09/94

OE Part number

Compatible OE codes

BMW	34211157781
-----	-------------

