

Disc
08.5775.11

brembo
AFTERMARKET

Disc technical data

Axle Rear

Diameter
245 mm

Overall height (A)
46,2 mm

Centring diameter (B)
68 mm

Number of holes (C)
5

Thickness (TH)
10 mm

Minimum thickness
8 mm

Tightening torque 
120 Nm

Unit per box
2

EANCode
8020584014165

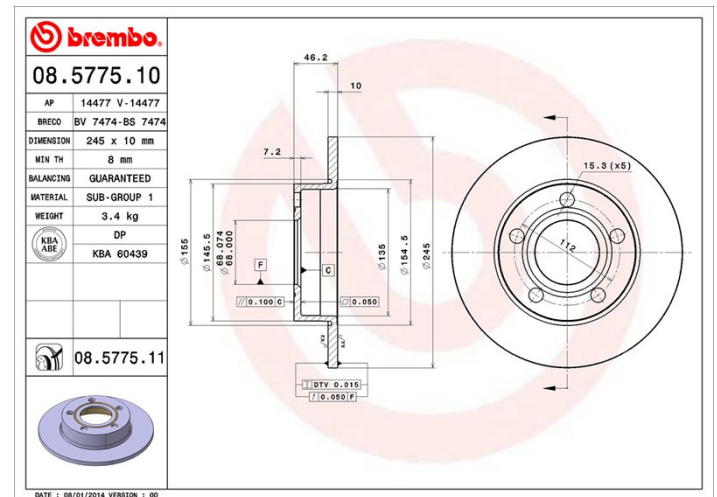


Brand part numbers

Brembo
08.5775.11

AP
14477 V

Breco
BV 7474



Technical specifications

UV Disc

The UV coating process provides a superior corrosion resistance and full disc protection.



Compatible vehicles

AUDI

Model	Type	Kw	Year
100 (44, 44Q, C3)	1.8 Cat quattro	66	08/85 11/90
100 (44, 44Q, C3)	1.8 quattro	65	08/86 07/90
100 (44, 44Q, C3)	1.8 quattro	66	10/84 07/88
100 (44, 44Q, C3)	2.2 Cat quattro	101	06/89 11/90
100 (44, 44Q, C3)	2.2 E quattro	88	08/85 07/86
100 (44, 44Q, C3)	2.2 E Turbo quattro	121	08/86 11/90
100 (44, 44Q, C3)	2.2 quattro	101	08/84 12/88

100 (44, 44Q, C3)	2.3 E quattro	100	08/86 11/90
100 (44, 44Q, C3)	2.3 quattro	98	01/90 11/90
100 Avant (44, 44Q, C3)	1.8 Cat quattro	66	08/85 10/90
100 Avant (44, 44Q, C3)	1.8 quattro	65	08/86 07/90
100 Avant (44, 44Q, C3)	1.8 quattro	66	10/84 07/88
100 Avant (44, 44Q, C3)	2.2 Cat quattro	101	06/89 11/90
100 Avant (44, 44Q, C3)	2.2 E quattro	88	08/85 07/86
100 Avant (44, 44Q, C3)	2.2 quattro	101	08/84 12/88
100 Avant (44, 44Q, C3)	2.2 Turbo quattro	121	08/86 11/90
100 Avant (44, 44Q, C3)	2.3 E quattro	100	08/86 11/90
100 Avant (44, 44Q, C3)	2.3 quattro	98	01/90 11/90
200 (44, 44Q)	2.1 Turbo quattro	134	08/83 09/86
200 (44, 44Q)	2.2 20V Turbo quattro	162	03/89 12/90
200 (44, 44Q)	2.2 Turbo quattro	121	01/85 12/91
200 (44, 44Q)	2.2 Turbo quattro	147	02/88 11/90
A8 (4D2, 4D8)	2.5 TDI	110	01/97 04/00
A8 (4D2, 4D8)	2.5 TDI quattro	110	07/97 04/00
A8 (4D2, 4D8)	2.8	128	03/94 03/96
A8 (4D2, 4D8)	2.8	120	07/95 03/96
A8 (4D2, 4D8)	2.8 quattro	128	03/94 03/96
A8 (4D2, 4D8)	2.8 quattro	120	07/95 03/96

OE Part number

Compatible OE codes

AUDI	443615601B
------	------------