

## Disc technical data

**Axle** Rear

**Diameter**  
304 mm

**Overall height (A)**  
62,7 mm

**Centring diameter (B)**  
70 mm

**Number of holes (C)**  
5

**Thickness (TH)**  
12,6 mm

**Minimum thickness**  
11,7 mm

**Tightening torque**   
140 Nm

**Unit per box**  
2

**EANCode**  
8020584683811

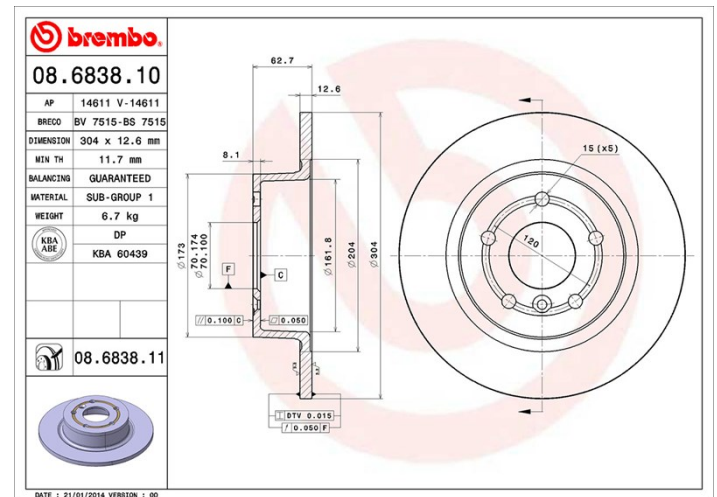


## Brand part numbers

**Brembo**  
08.6838.10

**AP**  
14611

**Breco**  
BS 7515



## Technical specifications

### Compatible vehicles

#### LAND ROVER

Model	Type	Kw	Year
DISCOVERY II (L318)	2.5 Td5 4x4	102	11/98 06/04
DISCOVERY II (L318)	4.0 V8 4x4	136	11/98 06/04
RANGE ROVER II (P38A)	2.5 D 4x4	100	07/94 03/02
RANGE ROVER II (P38A)	3.9 4x4	140	07/94 03/02
RANGE ROVER II (P38A)	4.0 4x4	136	01/95 03/02
RANGE ROVER II (P38A)	4.6 4x4	160	06/98 03/02
RANGE ROVER II (P38A)	4.6 4x4	165	07/94 03/02
RANGE ROVER II (P38A)	4.6 4x4	168	09/95 03/02
RANGE ROVER III (L322)	3.0 D 4x4	130	03/02 08/12

RANGE ROVER III (L322)	3.6 D 4x4	200	04/06 08/12
RANGE ROVER III (L322)	4.2 4x4	291	05/05 08/12
RANGE ROVER III (L322)	4.4 4x4	210	03/02 08/05

## OE Part number

### Compatible OE codes

LAND ROVER	NTC8781
LAND ROVER	SDB000210
LAND ROVER	SDB000470