

Disc 08.6838.11



Disc technical data

Axle Rear

Diameter
304 mm

Overall height (A)
62,7 mm

Centring diameter (B)
70 mm

Number of holes (C)
5

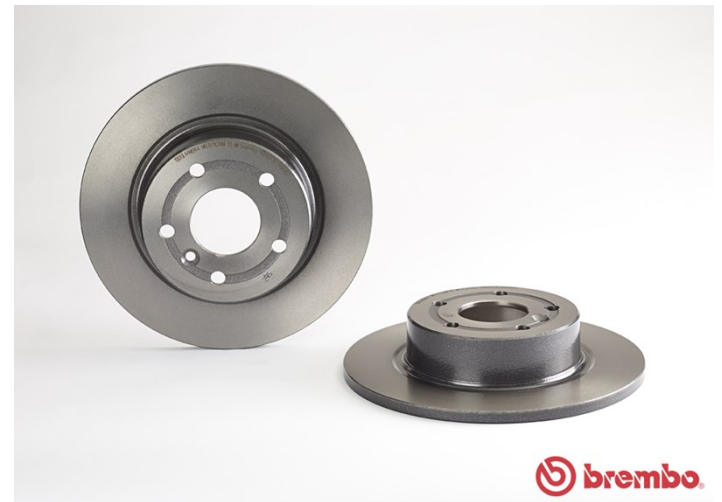
Thickness (TH)
12,6 mm

Minimum thickness
11,7 mm

Tightening torque 
140 Nm

Unit per box
2

EANCode
8020584030172

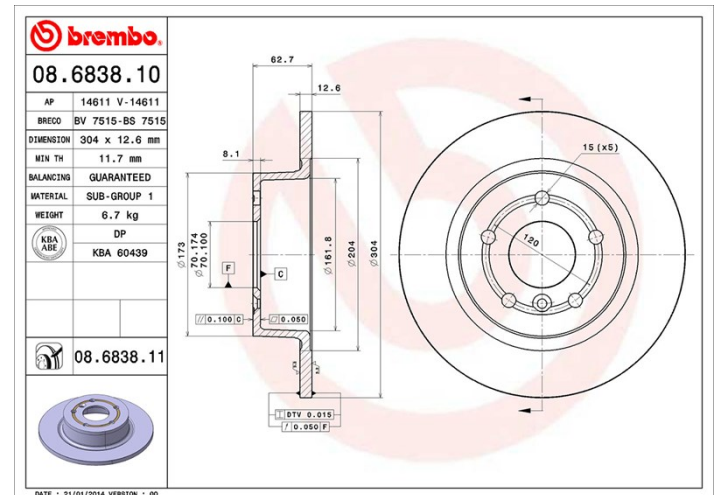



Brand part numbers

Brembo
08.6838.11

AP
14611 V

Breco
BV 7515



Technical specifications

UV Disc

The UV coating process provides a superior corrosion resistance and full disc protection.



Compatible vehicles

LAND ROVER

Model	Type	Kw	Year
DISCOVERY II (L318)	2.5 Td5 4x4	102	11/98 06/04
DISCOVERY II (L318)	4.0 V8 4x4	136	11/98 06/04
RANGE ROVER II (P38A)	2.5 D 4x4	100	07/94 03/02
RANGE ROVER II (P38A)	3.9 4x4	140	07/94 03/02
RANGE ROVER II (P38A)	4.0 4x4	136	01/95 03/02
RANGE ROVER II (P38A)	4.6 4x4	160	06/98 03/02
RANGE ROVER II (P38A)	4.6 4x4	165	07/94 03/02

RANGE ROVER II (P38A)	4.6 4x4	168	09/95 03/02
RANGE ROVER III (L322)	3.0 D 4x4	130	03/02 08/12
RANGE ROVER III (L322)	3.6 D 4x4	200	04/06 08/12
RANGE ROVER III (L322)	4.2 4x4	291	05/05 08/12
RANGE ROVER III (L322)	4.4 4x4	210	03/02 08/05

OE Part number

Compatible OE codes

LAND ROVER	NTC8781
LAND ROVER	SDB000210
LAND ROVER	SDB000470