

Disc technical data

Axle Rear

Diameter
286 mm

Overall height (A)
56,5 mm

Centring diameter (B)
72 mm

Number of holes (C)
5

Thickness (TH)
9,5 mm

Minimum thickness
7,5 mm

Tightening torque 
103 Nm

Unit per box
2

EANCode
8020584710715

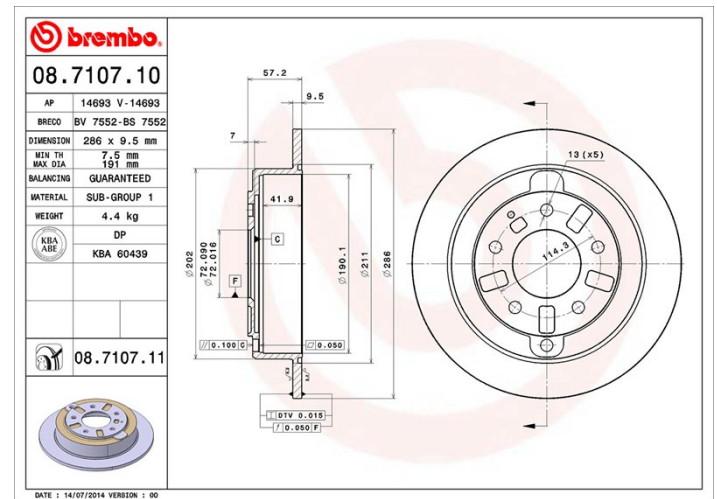


Brand part numbers

Brembo
08.7107.10

AP
14693

Breco
BS 7552



Technical specifications

Compatible vehicles

MAZDA			
Model	Type	Kw	Year
XEDOS 9 (TA)	2.0 24V	105	08/93 01/00
XEDOS 9 (TA)	2.3 24V	155	02/95 01/00
XEDOS 9 (TA)	2.5 24V	123	07/93 07/00

OE Part number

Compatible OE codes

MAZDA TY0126251