

Disc 08.7211.2X



Disc technical data

Axle Rear

Diameter
290 mm

Overall height (A)
55,2 mm

Centring diameter (B)
67 mm

Number of holes (C)
5

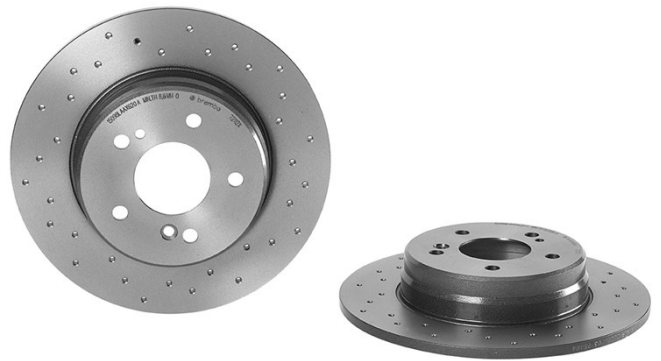
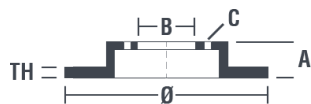
Thickness (TH)
10 mm

Minimum thickness
8,6 mm

Tightening torque
110 Nm

Unit per box
2

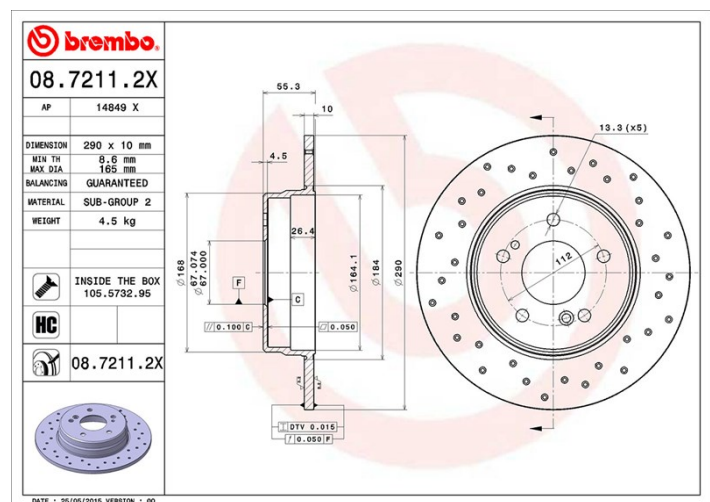
EANCode
8020584215258



Brand part numbers

Brembo
08.7211.2X

AP
14849 X



Technical specifications

High Carbon disc (HC)

Thanks to the high percentage of carbon in the chemical composition of the cast iron, the HC disc provides greater damping coefficient, able to reduce vibration and noise while driving.



Disc with fixing screw

By supplying the fixing screw in the disc box, Brembo provides extra help to the mechanic if the original screw is rusty or worn to such an extent as to prevent or make it difficult to reuse.



UV Disc

The UV coating process provides a superior corrosion resistance and full disc protection.



Compatible vehicles

MERCEDES-BENZ

Model	Type	Kw	Year
C-CLASS (W202)	C 36 AMG (202.028)	206	05/94 05/00
C-CLASS (W203)	3.5 (203.056)	170	01/05 02/07
C-CLASS (W203)	C 180 Kompressor (203.046)	105	05/02 02/07
C-CLASS (W203)	C 200 CDI (203.004)	75	02/01 06/03

C-CLASS (W203)	C 200 CDI (203.004)	85	09/00 06/03
C-CLASS (W203)	C 200 CDI (203.007)	90	04/03 02/07
C-CLASS (W203)	C 200 CGI Kompressor (203.043)	125	07/03 02/07
C-CLASS (W203)	C 200 Kompressor (203.042)	120	05/02 02/07
C-CLASS (W203)	C 220 CDI (203.006)	100	05/00 02/07
C-CLASS (W203)	C 220 CDI (203.006)	105	05/00 02/07
C-CLASS (W203)	C 220 CDI (203.008)	110	02/03 02/07
C-CLASS (W203)	C 230 (203.052)	150	01/05 02/07
C-CLASS (W203)	C 230 Kompressor (203.040)	141	02/04 02/07
C-CLASS (W203)	C 240 (203.061)	125	05/00 02/07
C-CLASS (W203)	C 240 4-matic (203.081)	125	07/02 02/07
C-CLASS (W203)	C 270 CDI (203.016)	120	12/00 02/07
C-CLASS (W203)	C 270 CDI (203.016)	125	12/00 02/07
C-CLASS (W203)	C 280 (203.054)	170	01/05 02/07
C-CLASS (W203)	C 280 4-matic (203.092)	170	01/05 02/07
C-CLASS (W203)	C 320 (203.064)	160	05/00 02/07
C-CLASS (W203)	C 320 4-matic (203.084)	160	07/02 02/07
C-CLASS (W203)	C 320 CDI (203.020)	165	01/05 02/07
C-CLASS (W203)	C 350 (203.056)	200	01/05 02/07
C-CLASS (W203)	C 350 4-matic (203.087)	200	01/05 02/07
C-CLASS Coupe (CL203)	C 230 (203.752)	150	01/05 05/08
C-CLASS Coupe (CL203)	C 230 Kompressor (203.740)	141	05/02 05/08
C-CLASS Coupe (CL203)	C 230 Kompressor (203.747)	145	03/01 05/02
C-CLASS Coupe (CL203)	C 320 (203.764)	160	09/02 05/08
C-CLASS Coupe (CL203)	C 350 (203.756)	200	01/05 05/08
C-CLASS T-Model (S203)	C 180 (203.235)	95	03/01 05/02
C-CLASS T-Model (S203)	C 180 Kompressor (203.246)	105	05/02 08/07
C-CLASS T-Model (S203)	C 200 CDI (203.204)	85	03/01 08/07
C-CLASS T-Model (S203)	C 200 CDI (203.204, 203.207)	75	03/01 08/07
C-CLASS T-Model (S203)	C 200 CDI (203.207)	90	04/03 08/07
C-CLASS T-Model (S203)	C 200 CGI Kompressor (203.243)	125	07/03 08/07
C-CLASS T-Model (S203)	C 200 Kompressor (203.242)	120	05/02 08/07
C-CLASS T-Model (S203)	C 200 Kompressor (203.245)	120	03/01 05/02

C-CLASS T-Model (S203)	C 220 CDI (203.206)	105	03/01 08/07
C-CLASS T-Model (S203)	C 220 CDI (203.208)	110	02/04 08/07
C-CLASS T-Model (S203)	C 220 CDI (203.208)	100	08/06 08/07
C-CLASS T-Model (S203)	C 230 (203.252)	150	01/05 08/07
C-CLASS T-Model (S203)	C 230 Kompressor (203.240)	141	02/04 08/07
C-CLASS T-Model (S203)	C 240 (203.261)	125	03/01 08/07
C-CLASS T-Model (S203)	C 240 4-matic (203.281)	125	07/02 08/07
C-CLASS T-Model (S203)	C 270 CDI (203.216)	120	03/01 08/07
C-CLASS T-Model (S203)	C 270 CDI (203.216)	125	03/01 08/07
C-CLASS T-Model (S203)	C 280 (203.254)	170	01/05 08/07
C-CLASS T-Model (S203)	C 280 4-matic (203.292)	170	01/05 08/07
C-CLASS T-Model (S203)	C 320 (203.264)	160	03/01 08/07
C-CLASS T-Model (S203)	C 320 4-matic (203.284)	160	07/02 08/07
C-CLASS T-Model (S203)	C 320 CDI (203.220)	165	06/05 08/07
C-CLASS T-Model (S203)	C 350 (203.256)	200	01/05 08/07
C-CLASS T-Model (S203)	C 350 4-matic (203.287)	200	01/05 08/07
CLC-CLASS (CL203)	CLC 200 Kompressor (203.741)	135	05/08 06/11
CLC-CLASS (CL203)	CLC 230 (203.752)	150	05/08 06/11
CLC-CLASS (CL203)	CLC 350 (203.756)	200	05/08 06/11
CLK (C208)	320 (208.365)	160	06/97 06/02
CLK (C208)	430 (208.370)	205	07/98 06/02
CLK (C209)	200 CGI (209.343)	125	07/03 05/09
CLK (C209)	200 Kompressor (209.341)	135	10/06 05/09
CLK (C209)	200 Kompressor (209.342)	120	09/02 05/09
CLK (C209)	220 CDI (209.308)	100	01/05 05/09
CLK (C209)	220 CDI (209.308)	110	01/05 05/09
CLK (C209)	240 (209.361)	120	06/02 05/09
CLK (C209)	240 (209.361)	125	06/02 05/09
CLK (C209)	270 CDI (209.316)	120	02/03 06/05
CLK (C209)	270 CDI (209.316)	125	10/02 05/09
CLK (C209)	280 (209.354)	170	01/05 05/09
CLK (C209)	320 (209.365)	160	06/02 05/09
CLK (C209)	320 CDI (209.320)	165	01/05 05/09

CLK (C209)	350 (209.356)	200	01/05 05/09
CLK Convertible (A208)	200 Kompressor (208.444)	120	06/00 03/02
CLK Convertible (A208)	200 Kompressor (208.445)	141	03/98 06/00
CLK Convertible (A208)	230 Kompressor (208.447)	142	03/98 06/00
CLK Convertible (A208)	230 Kompressor (208.448)	145	06/00 03/02
CLK Convertible (A208)	320 (208.465)	160	03/98 03/02
CLK Convertible (A208)	430 (208.470)	205	09/98 03/02
CLK Convertible (A209)	CLK 200 CGI (209.343)	125	07/03 03/10
CLK Convertible (A209)	CLK 200 Kompressor (209.441)	135	10/06 03/10
CLK Convertible (A209)	CLK 200 Kompressor (209.442)	120	02/03 03/10
CLK Convertible (A209)	CLK 240 (209.461)	125	02/03 03/10
CLK Convertible (A209)	CLK 280 (209.454)	170	01/05 03/10
CLK Convertible (A209)	CLK 320 (209.465)	160	02/03 03/10
CLK Convertible (A209)	CLK 320 CDI (209.420)	165	03/05 03/10
CLK Convertible (A209)	CLK 350 (209.456)	200	01/05 03/10
E-CLASS (W210)	E 200 Kompressor (210.045)	137	06/97 03/02
E-CLASS (W210)	E 240 (210.061)	125	06/97 08/00
E-CLASS (W210)	E 240 (210.062)	125	08/00 03/02
E-CLASS (W210)	E 270 CDI (210.016)	120	07/99 03/02
E-CLASS (W210)	E 270 CDI (210.016)	125	07/99 03/02
E-CLASS (W210)	E 280 (210.053)	142	01/96 06/97
E-CLASS (W210)	E 280 (210.063)	150	12/96 03/02
E-CLASS (W210)	E 280 4-matic (210.081)	150	12/96 03/02
E-CLASS (W210)	E 300 Turbo-D (210.025)	130	12/96 07/99
E-CLASS (W210)	E 320 (210.055)	162	06/95 06/97
E-CLASS (W210)	E 320 (210.065)	165	06/97 03/02
E-CLASS (W210)	E 320 4-matic (210.082)	165	06/97 03/02
E-CLASS (W210)	E 320 CDI (210.026)	145	07/99 03/02
E-CLASS (W210)	E 420 (210.072)	205	01/96 06/97
E-CLASS (W210)	E 430 (210.070)	205	06/97 03/02
E-CLASS (W210)	E 430 4-matic (210.083)	205	05/99 03/02
E-CLASS T-Model (S124)	E 320 T (124.092)	162	06/93 06/96
SLK (R171)	200 Kompressor (171.442)	120	03/04 02/11

SLK (R171)	200 Kompressor (171.445)	135	01/08 02/11
SLK (R171)	280 (171.454)	170	01/05 02/11
SLK (R171)	300 (171.454)	170	04/09 02/11
SLK (R171)	350 (171.456)	200	06/04 02/11
SLK (R171)	350 (171.458)	224	01/08 02/11

OE Part number

Compatible OE codes

MERCEDES-BENZ	1244231112
MERCEDES-BENZ	2104230312
MERCEDES-BENZ	2104230612
MERCEDES-BENZ	2104231012
MERCEDES-BENZ	A1244231112
MERCEDES-BENZ	A2104230312
MERCEDES-BENZ	A2104230612
MERCEDES-BENZ	A2104231012