

Disc technical data

Axle Rear

Diameter
240 mm

Overall height (A)
41 mm

Centring diameter (B)
61 mm

Number of holes (C)
4

Thickness (TH)
7 mm

Minimum thickness
6 mm

Tightening torque 
110 Nm

Unit per box
2

EANCode
8020584735510

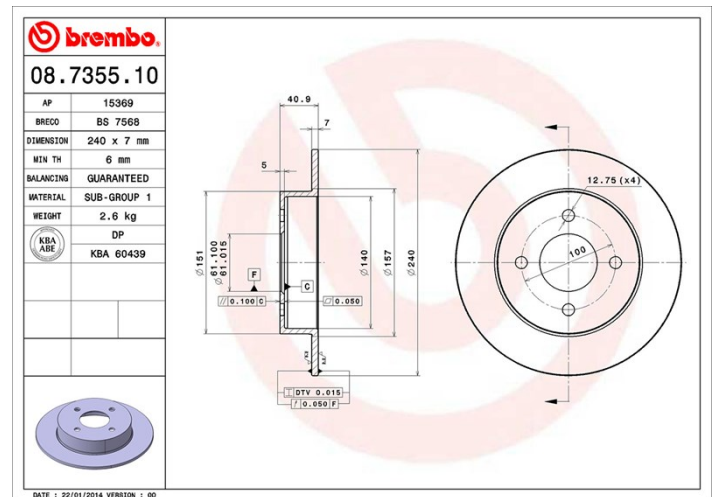


Brand part numbers

Brembo
08.7355.10

AP
15369

Breco
BS 7568



Technical specifications

Compatible vehicles

NISSAN

Model	Type	Kw	Year
MICRA II (K11)	1.0 i 16V	40	08/92 09/00
MICRA II (K11)	1.0 i 16V	44	09/00 02/03
MICRA II (K11)	1.3 i 16V	55	08/92 09/00
MICRA II (K11)	1.4 i 16V	60	09/00 02/03
MICRA II (K11)	1.5 D	42	02/98 02/03

OE Part number

Compatible OE codes

NISSAN 432065F001