

Disc 08.7878.11

brembo
AFTERMARKET

Disc technical data

Axle Rear

Diameter
280 mm

Overall height (A)
61,8 mm

Centring diameter (B)
64,2 mm

Number of holes (C)
5

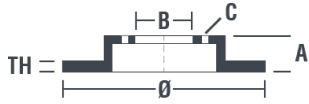
Thickness (TH)
10 mm

Minimum thickness
8 mm

Tightening torque 
125 Nm

Unit per box
2

EANCode
8020584216415



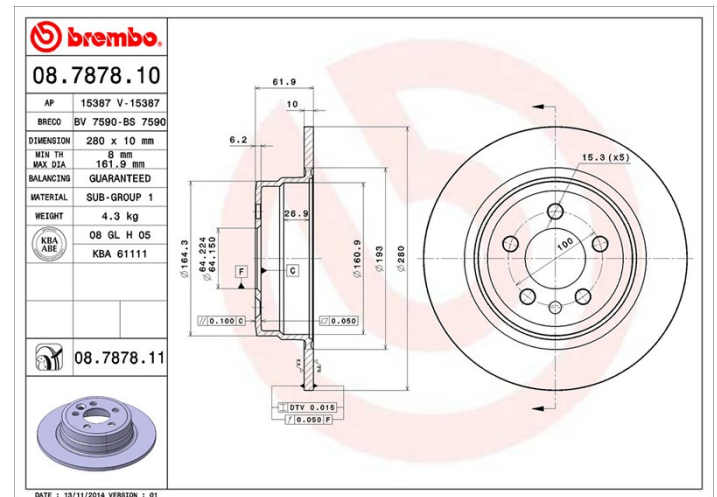
brembo

Brand part numbers

Brembo
08.7878.11

AP
15387 V

Breco
BV 7590



Technical specifications

UV Disc

The UV coating process provides a superior corrosion resistance and full disc protection.



Compatible vehicles

MG

Model	Type	Kw	Year
MG ZT	1.8 16V	88	01/03 07/05
MG ZT	1.8 T 16V	118	01/03 07/05
MG ZT	160	118	06/01 07/05
MG ZT	180	130	02/04 10/05
MG ZT	190	140	06/01 07/05
MG ZT	2.0 CDTi	85	06/02 09/03
MG ZT	2.0 CDTi	96	11/02 07/05

MG ZT- T	1.8 16V	88	01/03 07/05
MG ZT- T	1.8 T 16V	118	01/03 07/05
MG ZT- T	160	118	10/01 07/05
MG ZT- T	180	130	02/04 10/05
MG ZT- T	190	140	10/01 07/05
MG ZT- T	2.0 CDTi	85	06/02 07/05
MG ZT- T	2.0 CDTi	96	11/02 07/05

MG (SAIC)

Model	Type	Kw	Year
6 Saloon	1.8	98	01/11 -
6 Saloon	1.8 Turbo	118	12/09 -

ROVER

Model	Type	Kw	Year
75 (RJ)	1.8	88	02/99 05/05
75 (RJ)	1.8 Turbo	110	05/03 05/05
75 (RJ)	2.0 CDT	85	02/99 05/05
75 (RJ)	2.0 CDTi	96	02/03 05/05
75 (RJ)	2.0 V6	110	02/99 05/05
75 (RJ)	2.5 V6	129	02/99 10/01
75 (RJ)	2.5 V6	130	10/01 05/05
75 Tourer (RJ)	1.8	88	08/01 05/05
75 Tourer (RJ)	1.8 Turbo	110	05/03 05/05
75 Tourer (RJ)	2.0 CDT	85	08/01 05/05
75 Tourer (RJ)	2.0 CDTi	96	02/03 05/05
75 Tourer (RJ)	2.0 V6	110	08/01 05/05
75 Tourer (RJ)	2.5 V6	130	08/01 05/05

OE Part number

Compatible OE codes

MG	GBD90847
MG	SDB000870
MG	SDB101100
ROVER	GBD90847

ROVER

SDB000870

ROVER

SDB101100
