

Disc
08.8094.50

brembo
AFTERMARKET

Disc technical data

Axle Rear

Diameter
280 mm

Overall height (A)
80 mm

Centring diameter (B)
72 mm

Number of holes (C)
5

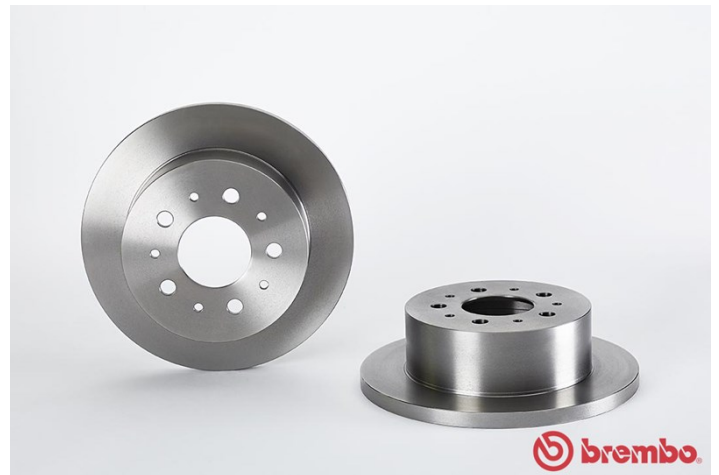
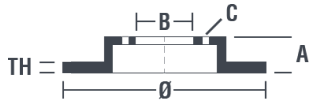
Thickness (TH)
16 mm

Minimum thickness
14,2 mm

Tightening torque 
160 Nm

Unit per box
2

EANCode
8020584809457

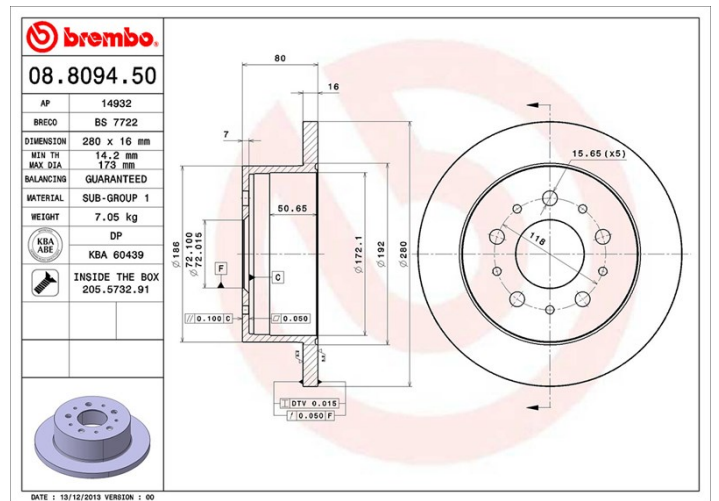


Brand part numbers

Brembo
08.8094.50

AP
14932

Breco
BS 7722



Technical specifications

Disc with fixing screw

By supplying the fixing screw in the disc box, Brembo provides extra help to the mechanic if the original screw is rusty or worn to such an extent as to prevent or make it difficult to reuse.



Compatible vehicles

CITROËN

Model	Type	Kw	Year
JUMPER Box / RELAY Box	2.2 HDi 100	74	04/06 -
JUMPER Box / RELAY Box	2.2 HDi 120	88	04/06 -
JUMPER Box / RELAY Box	3.0 HDi 160	116	09/06 -
JUMPER Bus / RELAY Bus	2.2 HDi 100	74	04/06 -
JUMPER Bus / RELAY Bus	2.2 HDi 120	88	04/06 -
JUMPER Bus / RELAY Bus	3.0 HDi 160	116	09/06 -
JUMPER Platform/Chassis / RELAY Platform/Chassis	2.2 HDi 100	74	04/06 -
JUMPER Platform/Chassis / RELAY Platform/Chassis	2.2 HDi 120	88	04/06 -

JUMPER Platform/Chassis / RELAY Platform/Chassis 3.0 HDi 160 116 09/06 -

FIAT

Model	Type	Kw	Year
DUCATO Box (250_, 290_)	100 Multijet 2,2 D	74	07/06 -
DUCATO Box (250_, 290_)	120 Multijet 2,3 D	88	07/06 -
DUCATO Box (250_, 290_)	130 Multijet 2,3 D	93	08/06 -
DUCATO Box (250_, 290_)	160 Multijet 3,0 D	116	07/06 -
DUCATO Box (250_, 290_)	160 Multijet 3,0 D	115	07/06 12/11
DUCATO Bus (250_, 290_)	100 Multijet 2,2 D	74	07/06 05/11
DUCATO Bus (250_, 290_)	120 Multijet 2,3 D	88	07/06 -
DUCATO Bus (250_, 290_)	160 Multijet 3,0 D	116	07/06 -
DUCATO Bus (250_, 290_)	160 Multijet 3,0 D	115	10/06 -
DUCATO Platform/Chassis (250_, 290_)	100 Multijet 2,2 D	74	07/06 -
DUCATO Platform/Chassis (250_, 290_)	120 Multijet 2,3 D	88	07/06 -
DUCATO Platform/Chassis (250_, 290_)	130 Multijet 2,3 D	93	08/06 -
DUCATO Platform/Chassis (250_, 290_)	160 Multijet 3,0 D	116	07/06 -
DUCATO Platform/Chassis (250_, 290_)	160 Multijet 3,0 D	115	07/06 12/11

PEUGEOT

Model	Type	Kw	Year
BOXER Box	2.2 HDi 100	74	04/06 -
BOXER Box	2.2 HDi 120	88	04/06 -
BOXER Box	3.0 HDi	115	07/06 -
BOXER Box	3.0 HDi 160	116	04/06 -
BOXER Bus	2.2 HDi 100	74	04/06 -
BOXER Bus	2.2 HDi 120	88	04/06 -
BOXER Bus	3.0 HDi	115	07/06 -
BOXER Bus	3.0 HDi 160	116	04/06 -
BOXER Platform/Chassis	2.2 HDi 100	74	04/06 -
BOXER Platform/Chassis	2.2 HDi 120	88	04/06 -
BOXER Platform/Chassis	3.0 HDi	115	02/07 -
BOXER Platform/Chassis	3.0 HDi 160	116	04/06 -

OE Part number

Compatible OE codes

CITROËN	424931
CITROËN	4249A1
FIAT	51740245
FIAT	51749274
PEUGEOT	424930