

Disc technical data

Axle Rear

Diameter
354 mm

Overall height (A)
75 mm

Centring diameter (B)
79 mm

Number of holes (C)
5

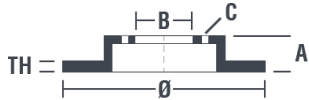
Thickness (TH)
12 mm

Minimum thickness
10,4 mm

Tightening torque
140 Nm

Unit per box
1

EANCode
8020584855423

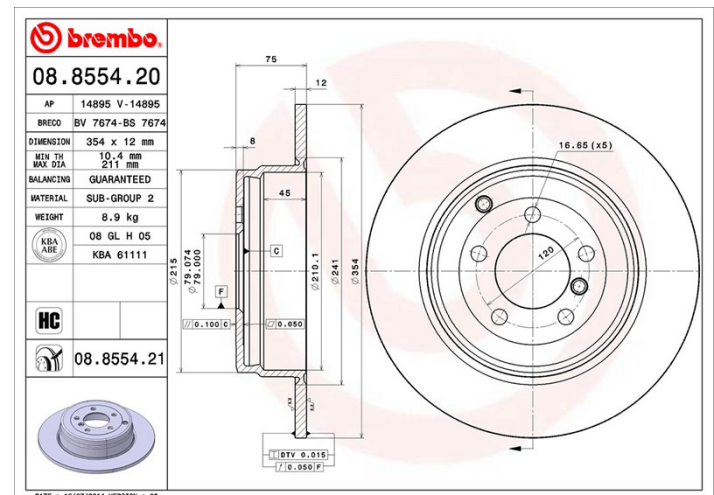


Brand part numbers

Brembo
08.8554.20

AP
14895

Breco
BS 7674



Technical specifications

High Carbon disc (HC)

Thanks to the high percentage of carbon in the chemical composition of the cast iron, the HC disc provides greater damping coefficient, able to reduce vibration and noise while driving.

HC

Compatible vehicles

LAND ROVER

Model	Type	Kw	Year
RANGE ROVER III (L322)	3.0 D 4x4	130	03/02 08/12
RANGE ROVER III (L322)	3.6 D 4x4	200	04/06 08/12
RANGE ROVER III (L322)	4.2 4x4	291	05/05 08/12
RANGE ROVER III (L322)	4.4 4x4	210	03/02 08/05
RANGE ROVER III (L322)	4.4 4x4	225	05/05 08/12
RANGE ROVER III (L322)	4.4 4x4	220	08/04 08/12

OE Part number

Compatible OE codes

LAND ROVER

SDB000211
