

Disc technical data

Axle Rear

Diameter
245 mm

Overall height (A)
53,7 mm

Centring diameter (B)
68 mm

Number of holes (C)
5

Thickness (TH)
10 mm

Minimum thickness
8 mm

Tightening torque 
120 Nm

Unit per box
2

EANCode
8020584024997

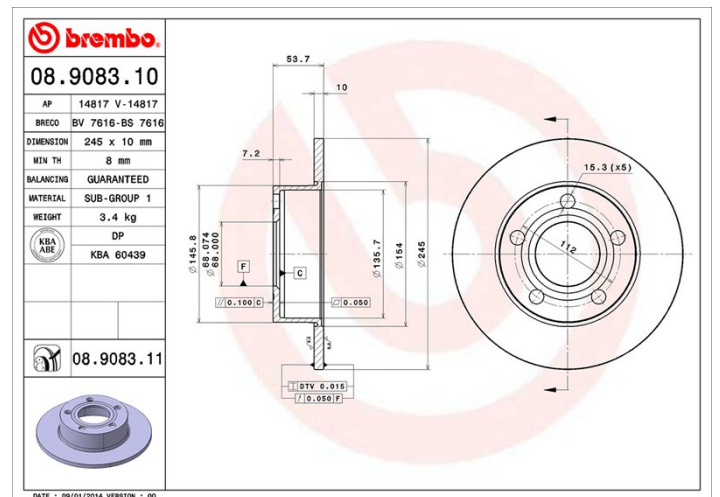


Brand part numbers

Brembo
08.9083.11

AP
14817 V

Breco
BV 7616



Technical specifications

UV Disc

The UV coating process provides a superior corrosion resistance and full disc protection.



Compatible vehicles

AUDI

Model	Type	Kw	Year
A6 (4B2, C5)	1.8 T quattro	110	02/97 01/05
A6 (4B2, C5)	1.8 T quattro	132	12/97 01/05
A6 (4B2, C5)	2.4 quattro	120	02/97 01/05
A6 (4B2, C5)	2.4 quattro	121	02/97 01/05
A6 (4B2, C5)	2.4 quattro	125	08/01 01/05
A6 (4B2, C5)	2.4 quattro	115	08/98 07/99
A6 (4B2, C5)	2.5 TDI quattro	132	02/00 01/05

A6 (4B2, C5)	2.5 TDI quattro	110	07/97 01/05
A6 (4B2, C5)	2.7 quattro	187	05/01 07/04
A6 (4B2, C5)	2.7 quattro	195	11/03 07/04
A6 (4B2, C5)	2.7 T quattro	184	08/01 01/05
A6 (4B2, C5)	2.7 T quattro	169	12/97 01/05
A6 (4B2, C5)	2.8 quattro	132	01/98 04/00
A6 (4B2, C5)	2.8 quattro	142	02/97 01/05
A6 (4B2, C5)	2.8 quattro	140	07/99 05/01
A6 (4B2, C5)	3.0 quattro	160	06/01 07/04
A6 (4B2, C5)	3.0 quattro	162	08/01 01/05
A6 (4B2, C5)	3.7 quattro	191	03/99 01/05
A6 Avant (4B5, C5)	1.8 T quattro	110	12/97 01/05
A6 Avant (4B5, C5)	1.8 T quattro	132	12/97 01/05
A6 Avant (4B5, C5)	2.4 quattro	125	08/01 01/05
A6 Avant (4B5, C5)	2.4 quattro	115	08/98 05/01
A6 Avant (4B5, C5)	2.4 quattro	120	12/97 01/05
A6 Avant (4B5, C5)	2.4 quattro	121	12/97 01/05
A6 Avant (4B5, C5)	2.5 TDI quattro	132	02/00 01/05
A6 Avant (4B5, C5)	2.5 TDI quattro	110	12/97 01/05
A6 Avant (4B5, C5)	2.7 T quattro	184	08/01 01/05
A6 Avant (4B5, C5)	2.7 T quattro	169	12/97 01/05
A6 Avant (4B5, C5)	2.8 quattro	142	12/97 01/05
A6 Avant (4B5, C5)	3.0 quattro	162	08/01 01/05
A6 Avant (4B5, C5)	3.7 quattro	191	03/99 01/05

OE Part number

Compatible OE codes

AUDI

4B0615601