

Disc 08.9163.75

 **brembo**
AFTERMARKET

Disc technical data

Axle Rear

Diameter
259 mm

Overall height (A)
44 mm

Centring diameter (B)
64 mm

Number of holes (C)
4

Thickness (TH)
10 mm

Minimum thickness
8,4 mm

Tightening torque 
120 Nm

Unit per box
2

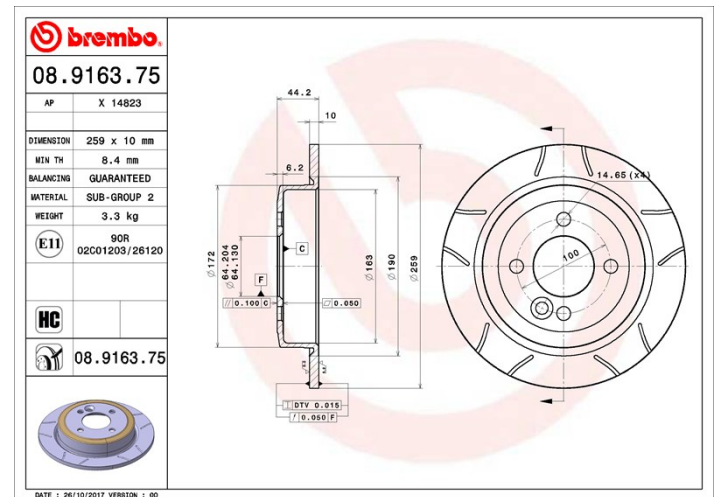
EANCode
8020584015001



Brand part numbers

Brembo
08.9163.75

AP
X 14823



Technical specifications

High Carbon disc (HC)

Thanks to the high percentage of carbon in the chemical composition of the cast iron, the HC disc provides greater damping coefficient, able to reduce vibration and noise while driving.

HC

UV Disc

The UV coating process provides a superior corrosion resistance and full disc protection.



Compatible vehicles

MINI

Model	Type	Kw	Year
MINI (R50, R53)	Cooper	85	06/01 09/06
MINI (R50, R53)	Cooper S	120	03/02 09/06
MINI (R50, R53)	Cooper S	125	07/04 09/06
MINI (R50, R53)	John Cooper Works	160	03/06 09/06
MINI (R50, R53)	One	55	04/03 09/06

MINI (R50, R53)	One	66	06/01 09/06
MINI (R50, R53)	One D	55	06/03 09/06
MINI (R50, R53)	One D	65	06/03 09/06
MINI (R50, R53)	S Works	149	11/03 06/05
MINI (R50, R53)	Works	155	11/03 09/06
MINI (R56)	Cooper	88	10/06 02/12
MINI (R56)	Cooper D	80	11/06 09/10
MINI Convertible (R52)	Cooper	85	07/04 11/07
MINI Convertible (R52)	Cooper S	120	07/04 11/07
MINI Convertible (R52)	Cooper S	125	07/04 11/07
MINI Convertible (R52)	John Cooper Works	155	07/04 11/07
MINI Convertible (R52)	One	66	07/04 11/07

OE Part number

Compatible OE codes

MINI

34211503070