

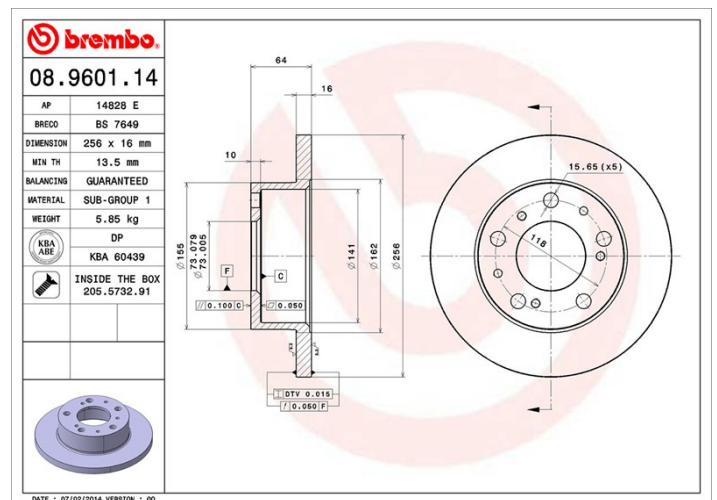
Disc technical data

Axle Front	Diameter (Diameter) 256 mm
Overall height (A) 64 mm	Centring diameter (B) 73 mm
Number of holes (C) 5	Thickness (TH) 16 mm
Minimum thickness 13,5 mm	Tightening torque 120 Nm
Unit per box 2	EANCode 8020584960110



Brand part numbers

Brembo 08.9601.14	AP 14828 E	Breco BS 7649
-----------------------------	----------------------	-------------------------



Technical specifications

Disc with fixing screw

By supplying the fixing screw in the disc box, Brembo provides extra help to the mechanic if the original screw is rusty or worn to such an extent as to prevent or make it difficult to reuse.



Compatible vehicles

PEUGEOT

Model	Type	Kw	Year
J5 Box (280L)	1.8	51	01/83 11/88
J5 Box (280L)	1.9 D	51	09/87 08/90
J5 Box (280L)	2.0	58	09/81 08/90
J5 Box (280L)	2.0	55	09/87 08/90
J5 Box (280L)	2.5 D	54	09/81 08/90
J5 Box (290L)	1.8	51	09/90 01/94
J5 Box (290L)	1.9 D	51	10/90 03/94
J5 Box (290L)	2.0	62	09/90 01/94

J5 Box (290L)	2.5 D	54	09/90 01/94
J5 Box (290L)	2.5 D 4x4	54	10/90 03/94
J5 Bus (280P)	2.0	58	01/83 09/90
J5 Bus (280P)	2.0	55	09/81 09/90
J5 Bus (280P)	2.0 Super 4x4	58	09/81 08/90
J5 Bus (280P)	2.5 D	54	09/81 09/90
J5 Bus (290P)	1.9 D	51	10/90 02/94
J5 Bus (290P)	2.0	62	10/90 02/94
J5 Bus (290P)	2.5 D	54	10/90 02/94
J5 Bus (290P)	2.5 D 4x4	54	10/90 02/94
J5 Platform/Chassis (280L)	2.0	58	01/83 11/88
J5 Platform/Chassis (280L)	2.0	55	01/86 11/88
J5 Platform/Chassis (280L)	2.5 D	54	09/81 09/90
J5 Platform/Chassis (280L)	2.5 D 4x4	54	09/81 08/90
J5 Platform/Chassis (290L)	1.9 D	51	10/90 02/94
J5 Platform/Chassis (290L)	2.0	62	10/90 02/94
J5 Platform/Chassis (290L)	2.5 D	54	10/90 02/94
J5 Platform/Chassis (290L)	2.5 D 4x4	54	10/90 02/94

OE Part number

Compatible OE codes

PEUGEOT	424693
PEUGEOT	424695
PEUGEOT	4246B4
PEUGEOT	ZF93500520