

Disc technical data

Axle Rear

Diameter
280 mm

Overall height (A)
40,8 mm

Centring diameter (B)
72 mm

Number of holes (C)
5

Thickness (TH)
11 mm

Minimum thickness
9 mm

Tightening torque 
103 Nm

Unit per box
2

EANCode
8020584034521




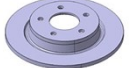


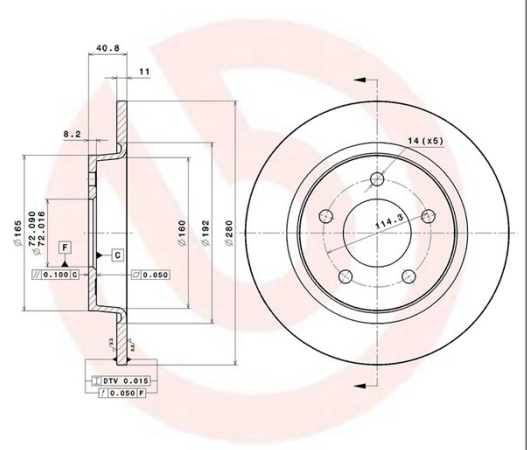
Brand part numbers

Brembo
08.9975.21

AP
14915 V

Breco
BV 7691

	
08.9975.20	
AP	14915 V-14915
BRECO	BV 7691-BS 7691
DIMENSION	280 x 11 mm
MIN TH	9 mm
BALANCING	GUARANTEED
MATERIAL	SUB-GROUP 1
WEIGHT	4.4 kg
	DP
	KBA 60439
	
08.9975.21	
	
DATE : 10/04/2014 VERSION : 00	



Technical specifications

UV Disc

The UV coating process provides a superior corrosion resistance and full disc protection.



Compatible vehicles

MAZDA			
Model	Type	Kw	Year
3 (BK)	2.0	110	10/03 12/09
3 (BK)	2.0 MZR-CD	105	12/06 06/09
3 (BK)	2.3 DiSi Turbo MPS	184	06/06 06/09
3 (BK)	2.3 MPS Turbo	191	12/06 06/09
3 (BK)	2.3 MZR	115	03/04 03/09
3 (BK)	2.3 MZR Sport	126	10/03 06/09
3 (BL)	2.2 MZR CD	110	01/09 05/13

3 (BL)	2.2 MZR CD	136	01/09 05/13
3 (BL)	2.3 MPS Turbo	191	06/09 09/14
3 (BL)	2.5	122	03/09 09/14
3 Saloon (BK)	2.0	104	04/04 06/06
3 Saloon (BK)	2.0	110	10/03 12/09
3 Saloon (BK)	2.0 MZR-CD	105	12/06 06/09
3 Saloon (BK)	2.3	126	04/04 03/09
3 Saloon (BK)	2.3	118	03/04 03/09
3 Saloon (BL)	2.2 MZR CD	110	01/09 09/14
3 Saloon (BL)	2.2 MZR CD	136	06/09 05/13
3 Saloon (BL)	2.5	122	05/09 09/14
5 (CR19)	1.8	85	02/05 05/10
5 (CR19)	2.0	107	02/05 05/10
5 (CR19)	2.0 CD	81	02/05 05/10
5 (CR19)	2.0 CD	105	02/05 05/10
5 (CR19)	2.3	115	02/05 05/10
5 (CR19)	2.3	122	02/05 09/08
5 (CW)	1.6 CD	85	09/10 -
5 (CW)	1.8 MZR	85	09/10 -
5 (CW)	2.0	108	01/11 -
5 (CW)	2.0	106	06/10 -
5 (CW)	2.0	111	08/14 -
5 (CW)	2.0	110	09/10 -
5 (CW)	2.5	117	09/11 -

OE Part number

Compatible OE codes

MAZDA	BP6Y26251B
MAZDA	BP6Y26251C
MAZDA	BP6Y26251D
MAZDA	BP6Y26251E
MAZDA	C25Y26251A

MAZDA

C25Y26251B

MAZDA

C25Y26251C
