

## Disc technical data

**Axle** Rear

**Diameter**  
280 mm

**Overall height (A)**  
40,8 mm

**Centring diameter (B)**  
72 mm

**Number of holes (C)**  
5

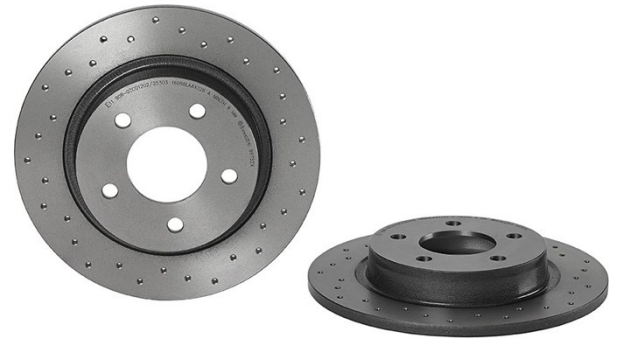
**Thickness (TH)**  
11 mm

**Minimum thickness**  
9,5 mm

**Tightening torque**   
103 Nm

**Unit per box**  
2


**EANCode**  
8020584217771

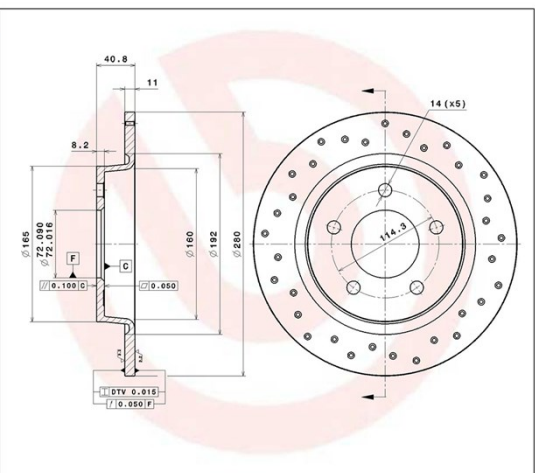


## Brand part numbers


**Brembo**  
08.9975.2X

**AP**  
14915 X

	
<b>08.9975.2X</b>	
AP	14915 X
DIMENSION	280 x 11 mm
MIN TH	9,5 mm
BALANCING	GUARANTEED
MATERIAL	SUB-GROUP 1
WEIGHT	4,4 kg



**08.9975.2X**



DATE : 13/05/2015 VERSION : 00

## Technical specifications

### UV Disc

The UV coating process provides a superior corrosion resistance and full disc protection.



## Compatible vehicles

MAZDA				
Model	Type	Kw	Year	
3 (BK)	2.0	110	10/03 12/09	
3 (BK)	2.0 MZR-CD	105	12/06 06/09	
3 (BK)	2.3 DiSi Turbo MPS	184	06/06 06/09	
3 (BK)	2.3 MPS Turbo	191	12/06 06/09	
3 (BK)	2.3 MZR	115	03/04 03/09	
3 (BK)	2.3 MZR Sport	126	10/03 06/09	
3 (BL)	2.2 MZR CD	110	01/09 05/13	

3 (BL)	2.2 MZR CD	136	01/09 05/13
3 (BL)	2.3 MPS Turbo	191	06/09 09/14
3 (BL)	2.5	122	03/09 09/14
3 Saloon (BK)	2.0	104	04/04 06/06
3 Saloon (BK)	2.0	110	10/03 12/09
3 Saloon (BK)	2.0 MZR-CD	105	12/06 06/09
3 Saloon (BK)	2.3	126	04/04 03/09
3 Saloon (BK)	2.3	118	03/04 03/09
3 Saloon (BL)	2.2 MZR CD	110	01/09 09/14
3 Saloon (BL)	2.2 MZR CD	136	06/09 05/13
3 Saloon (BL)	2.5	122	05/09 09/14
5 (CR19)	1.8	85	02/05 05/10
5 (CR19)	2.0	107	02/05 05/10
5 (CR19)	2.0 CD	81	02/05 05/10
5 (CR19)	2.0 CD	105	02/05 05/10
5 (CR19)	2.3	115	02/05 05/10
5 (CR19)	2.3	122	02/05 09/08
5 (CW)	1.6 CD	85	09/10 -
5 (CW)	1.8 MZR	85	09/10 -
5 (CW)	2.0	108	01/11 -
5 (CW)	2.0	106	06/10 -
5 (CW)	2.0	111	08/14 -
5 (CW)	2.0	110	09/10 -
5 (CW)	2.5	117	09/11 -

## OE Part number

### Compatible OE codes

MAZDA	BP6Y26251B
MAZDA	BP6Y26251C
MAZDA	BP6Y26251D
MAZDA	BP6Y26251E
MAZDA	C25Y26251A

MAZDA

C25Y26251B

---

MAZDA

C25Y26251C

---