

## Disc technical data

**Axle** Rear

**Diameter**  
262 mm

**Overall height (A)**  
60,2 mm

**Centring diameter (B)**  
80 mm

**Number of holes (C)**  
5

**Thickness (TH)**  
10 mm

**Minimum thickness**  
8,4 mm

**Tightening torque**   
Nm

**Unit per box**  
2

**EANCode**  
8020584234143

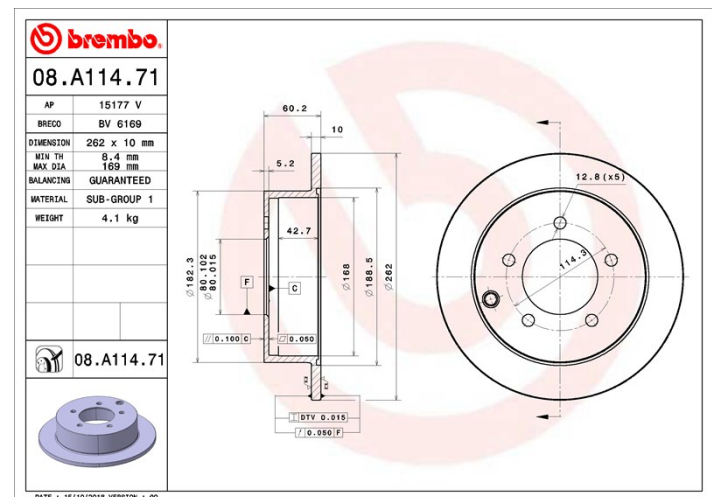


## Brand part numbers

**Brembo**  
08.A114.71

**AP**  
15177 V

**Breco**  
BV 6169



## Technical specifications

### UV Disc

The UV coating process provides a superior corrosion resistance and full disc protection.



## Compatible vehicles

### MITSUBISHI

Model	Type	Kw	Year
LANCER VII (CS_A, CT_A)	2.0 i	113	10/07 12/13
LANCER VIII (CY_A, CZ_A)	1.5	80	06/08 -
LANCER VIII (CY_A, CZ_A)	1.5 Bifuel	80	02/10 -
LANCER VIII (CY_A, CZ_A)	1.6 MIVEC	86	05/10 -
LANCER VIII (CY_A, CZ_A)	1.8	105	02/08 -
LANCER VIII (CY_A, CZ_A)	1.8	103	05/10 -
LANCER VIII (CY_A, CZ_A)	1.8 Bifuel	105	01/10 -

LANCER VIII (CY_A, CZ_A)	1.8 DI-D	85	05/10 -
LANCER VIII (CY_A, CZ_A)	1.8 DI-D (CY9A)	110	06/10 -
LANCER VIII (CY_A, CZ_A)	1.8 Flexfuel (CY3A)	105	01/10 -
LANCER VIII (CY_A, CZ_A)	1.8 Mivec	110	11/09 -
LANCER VIII (CY_A, CZ_A)	2.0	108	01/09 -
LANCER VIII (CY_A, CZ_A)	2.0 DI-D	103	01/08 -
LANCER VIII (CY_A, CZ_A)	2.0 i	113	04/07 -
LANCER VIII (CY_A, CZ_A)	2.0 i 4WD	113	03/07 -
LANCER VIII (CY_A, CZ_A)	2.0 i Ralliart 4WD (CY4A)	177	10/08 -
LANCER VIII Sportback (CX_A)	1.5	80	06/08 -
LANCER VIII Sportback (CX_A)	1.5 Bifuel	80	03/10 -
LANCER VIII Sportback (CX_A)	1.6 MIVEC	86	05/10 -
LANCER VIII Sportback (CX_A)	1.8 (CX3A)	105	06/08 -
LANCER VIII Sportback (CX_A)	1.8 Bifuel	105	02/10 -
LANCER VIII Sportback (CX_A)	1.8 DI-D	85	05/10 -
LANCER VIII Sportback (CX_A)	1.8 DI-D (CX9A)	110	06/10 -
LANCER VIII Sportback (CX_A)	1.8 Flex	103	03/09 -
LANCER VIII Sportback (CX_A)	1.8 MIVEC	103	03/09 -

## OE Part number

### Compatible OE codes

MITSUBISHI	4615A119
MITSUBISHI	4615A194
MITSUBISHI	MN116332