

Disc 08.A147.1X

 **brembo**
AFTERMARKET

Disc technical data

Axle Rear

Diameter (Diameter)
260 mm

Overall height (A)
42 mm

Centring diameter (B)
64,2 mm

Number of holes (C)
5

Thickness (TH)
9 mm

Minimum thickness
8,2 mm

Tightening torque 
108 Nm

Unit per box
2

EANCode
8020584212318

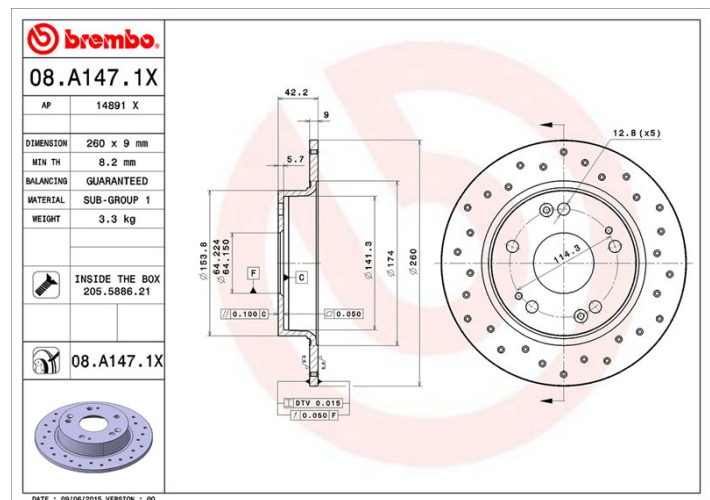


 **brembo**

Brand part numbers

Brembo
08.A147.1X

AP
14891 X



Technical specifications

Disc with fixing screw

By supplying the fixing screw in the disc box, Brembo provides extra help to the mechanic if the original screw is rusty or worn to such an extent as to prevent or make it difficult to reuse.



UV Disc

The UV coating process provides a superior corrosion resistance and full disc protection.



Compatible vehicles

HONDA			
Model	Type	Kw	Year
CIVIC IX Saloon (FB, FG)	1.8	104	09/11 -
CIVIC IX Saloon (FB, FG)	1.8 (FB2)	104	02/12 -
CIVIC VIII Hatchback (FN, FK)	1.4 (FK1)	61	09/05 -
CIVIC VIII Hatchback (FN, FK)	1.4 (FK1, FN4)	73	10/08 -
CIVIC VIII Hatchback (FN, FK)	1.6	84	09/05 -
CIVIC VIII Hatchback (FN, FK)	1.8 (FN1, FK2)	103	09/05 -

CIVIC VIII Hatchback (FN, FK)	2.2 CTDi (FK3)	103	09/05 -
CIVIC VIII Hatchback (FN, FK)	Type R (FN2)	148	09/06 -
CIVIC VIII Saloon (FD, FA)	1.3	85	02/06 -
CIVIC VIII Saloon (FD, FA)	1.3 Hybrid (FA3, FD3)	70	01/06 -
CIVIC VIII Saloon (FD, FA)	1.3 Hybrid (FD3)	85	01/10 02/12
CIVIC VIII Saloon (FD, FA)	1.6	84	09/05 -
CIVIC VIII Saloon (FD, FA)	1.8 (FD1, FD7)	103	09/05 02/12
CIVIC VIII Saloon (FD, FA)	1.8 EXS Flex	103	11/06 -
CIVIC VIII Saloon (FD, FA)	2.0 (FD2)	114	02/06 02/12

HONDA (DONGFENG)

Model	Type	Kw	Year
CIIMO	1.8	103	04/12 -
CIVIC IX Saloon (FB_)	2.4 Si (FB6)	152	09/14 -
CIVIC VIII (FA_)	1.3 Hybrid	70	01/07 12/13
CIVIC VIII (FA_)	1.8	103	04/06 12/12
CIVIC VIII (FA_)	1.8	104	10/11 -
CIVIC VIII (FA_)	2.0	114	10/11 -

OE Part number

Compatible OE codes

HONDA	42510SMGE20
HONDA	42510SNAA00
HONDA	42510SNAA01
HONDA	42510SNEA00
HONDA	42510TR3A00