

Disc 08.A332.11

Disc technical data

Axle Rear

Diameter
288 mm

Overall height (A)
35,9 mm

Centring diameter (B)
68 mm

Number of holes (C)
5

Thickness (TH)
12 mm

Minimum thickness
10 mm

Tightening torque 
120 Nm

Unit per box
2

EANCode
8020584034804

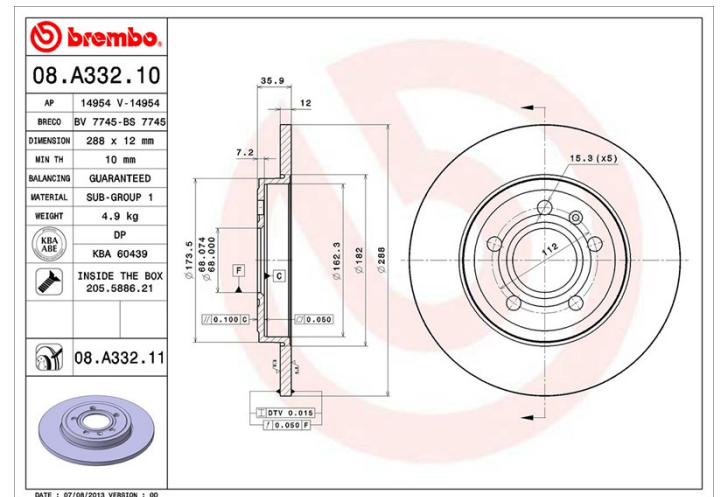


Brand part numbers

Brembo
08.A332.11

AP
14954 V

Breco
BV 7745



Technical specifications

Disc with fixing screw

By supplying the fixing screw in the disc box, Brembo provides extra help to the mechanic if the original screw is rusty or worn to such an extent as to prevent or make it difficult to reuse.



UV Disc

The UV coating process provides a superior corrosion resistance and full disc protection.



Compatible vehicles

AUDI

Model	Type	Kw	Year
A4 (8EC, B7)	2.0 TFSI	162	06/05 06/08
A4 (8EC, B7)	2.0 TFSI	147	11/04 06/08
A4 (8EC, B7)	2.0 TFSI quattro	162	06/05 06/08
A4 (8EC, B7)	2.0 TFSI quattro	147	11/04 06/08
A4 (8EC, B7)	2.5 TDI	120	11/04 05/06

A4 (8EC, B7)	2.7 TDI	132	01/06 06/08
A4 (8EC, B7)	2.7 TDI	120	11/05 06/08
A4 (8EC, B7)	3.0	160	11/04 05/06
A4 (8EC, B7)	3.0 quattro	160	11/04 07/06
A4 (8EC, B7)	3.0 TDI quattro	171	01/06 06/08
A4 (8EC, B7)	3.0 TDI quattro	150	11/04 06/08
A4 (8EC, B7)	3.2 FSI	188	01/05 06/08
A4 (8EC, B7)	3.2 FSI quattro	188	01/05 06/08
A4 Avant (8ED, B7)	2.0 TFSI	162	06/05 06/08
A4 Avant (8ED, B7)	2.0 TFSI	147	11/04 06/08
A4 Avant (8ED, B7)	2.0 TFSI quattro	162	06/05 06/08
A4 Avant (8ED, B7)	2.0 TFSI quattro	147	11/04 06/08
A4 Avant (8ED, B7)	2.5 TDI	120	11/04 05/06
A4 Avant (8ED, B7)	2.7 TDI	132	01/06 06/08
A4 Avant (8ED, B7)	2.7 TDi	120	11/05 03/08
A4 Avant (8ED, B7)	3.0	160	11/04 05/06
A4 Avant (8ED, B7)	3.0 quattro	160	11/04 07/06
A4 Avant (8ED, B7)	3.0 TDI quattro	171	01/06 06/08
A4 Avant (8ED, B7)	3.0 TDI quattro	150	11/04 06/08
A4 Avant (8ED, B7)	3.2 FSI	188	01/05 06/08
A4 Avant (8ED, B7)	3.2 FSI quattro	188	01/05 06/08
A4 Convertible (8H7, B6, 8HE, B7)	2.0 TFSI 16V	147	01/06 03/09
A4 Convertible (8H7, B6, 8HE, B7)	2.0 TFSI quattro	147	11/05 03/09
A4 Convertible (8H7, B6, 8HE, B7)	2.7 TDI	132	06/06 03/09
A4 Convertible (8H7, B6, 8HE, B7)	3.0 TDI quattro	150	01/06 03/09
A4 Convertible (8H7, B6, 8HE, B7)	3.0 TDI quattro	171	01/06 03/09
A4 Convertible (8H7, B6, 8HE, B7)	3.2 FSI	188	01/06 03/09
A4 Convertible (8H7, B6, 8HE, B7)	3.2 FSI quattro	188	01/06 03/09
AUDI (FAW)			
Model	Type	Kw	Year
A4 (B7, 8YC)	2.0 T	147	07/05 09/08
A4 (B7, 8YC)	3.0 quattro	160	07/05 09/08

SEAT

Model	Type	Kw	Year
EXEO (3R2)	2.0 TFSI	147	03/09 -
EXEO (3R2)	2.0 TFSI	155	05/10 -
EXEO ST (3R5)	2.0 TFSI	155	05/10 -
EXEO ST (3R5)	2.0 TFSI	147	06/09 -

OE Part number**Compatible OE codes**

AUDI	8E0615601M
SEAT	8E0615601M