



# BRAKE DISC

## 08.A351.10

The **08.A351.10** brake disc is synonymous with reliability

The Brembo brake disc is fully interchangeable with an Original Equipment brake disc. The control of the entire production cycle allows Brembo to offer brake discs with outstanding performance levels, reliability, durability and comfort in all conditions of use. All Brembo brake discs are accompanied by the ECE-R90 homologation.

- ✓ OE-equivalent
- ✓ Brembo quality
- ✓ ECE-R90 certificate
- ✓ Safety



### Technical specifications



EAN code  
**8020584019061**

Axle  
**Rear**

Diameter Ø  
**290** mm

Thickness (TH)  
**12,5** mm

Height (A)  
**56** mm

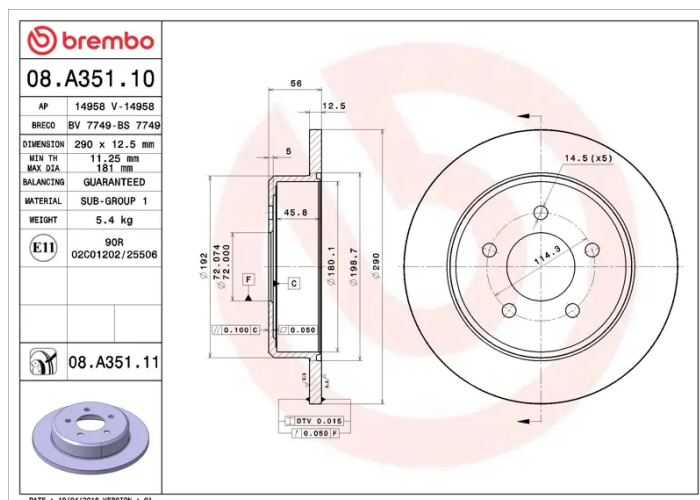
Number of holes (C)  
**5**

Brake disc type  
**Solid**

Centering (B)  
**72** mm

Min. thickness  
**11,3** mm

Tightening torque  
**129** Nm



COMPATIBLE VEHICLES

## COMPATIBLE OE PART NUMBERS

4721023 CHRYSLER

---

4721023AC CHRYSLER

---

4721023AD CHRYSLER

---

4721023AE CHRYSLER

---

4721023AF CHRYSLER

---

4721023AG CHRYSLER

---

4721220AA CHRYSLER

---

4721023AF DODGE

---

4721023AG DODGE

---

4721220AA DODGE

---

2AMV8411AA JEEP

---