

## Disc technical data

**Axle** Rear

**Diameter**  
305 mm

**Overall height (A)**  
75,4 mm

**Centring diameter (B)**  
72,3 mm

**Number of holes (C)**  
5

**Thickness (TH)**  
10 mm

**Minimum thickness**  
9,5 mm

**Tightening torque**   
Nm

**Unit per box**  
2

**EANCode**  
8020584039854

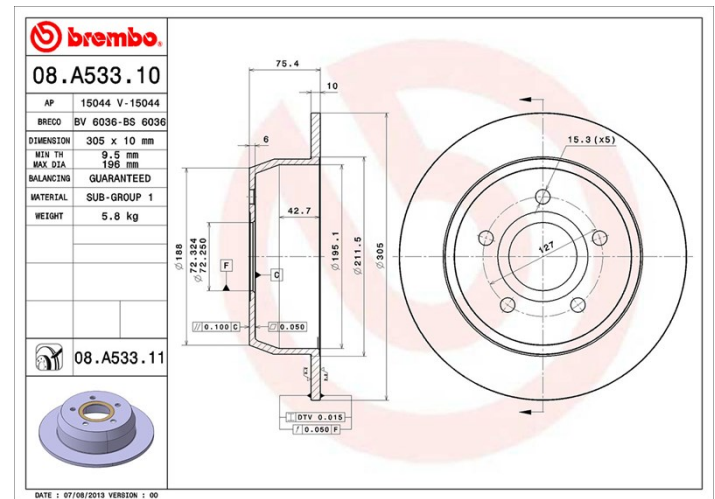


## Brand part numbers

**Brembo**  
08.A533.11

**AP**  
15044 V

**Breco**  
BV 6036



## Technical specifications

### UV Disc

The UV coating process provides a superior corrosion resistance and full disc protection.



## Compatible vehicles

### BEIJING BENZ (BBDC)

Model	Type	Kw	Year
JEEP 4700	4.7 All-wheel Drive	175	10/03 12/07

### JEEP

Model	Type	Kw	Year
GRAND CHEROKEE II (WJ, WG)	2.7 CRD 4x4	120	10/01 09/05
GRAND CHEROKEE II (WJ, WG)	2.7 CRD 4x4	120	10/04 09/05
GRAND CHEROKEE II (WJ, WG)	3.1 TD 4x4	103	04/99 12/01
GRAND CHEROKEE II (WJ, WG)	4.0	140	10/98 09/04

GRAND CHEROKEE II (WJ, WG)	4.0 4x4	140	04/99 09/05
GRAND CHEROKEE II (WJ, WG)	4.7 V8 4x4	162	04/99 08/00
GRAND CHEROKEE II (WJ, WG)	4.7 V8 4x4	164	04/99 09/05
GRAND CHEROKEE II (WJ, WG)	4.7 V8 4x4	167	06/03 09/05
GRAND CHEROKEE II (WJ, WG)	4.7 V8 4x4	190	10/01 09/05

## OE Part number

### Compatible OE codes

JEEP	52098666
------	----------