

Disc 08.A643.10

Disc technical data

Axle Rear

Diameter
286 mm


Overall height (A)
56,5 mm

Centring diameter (B)
72 mm

Number of holes (C)
5

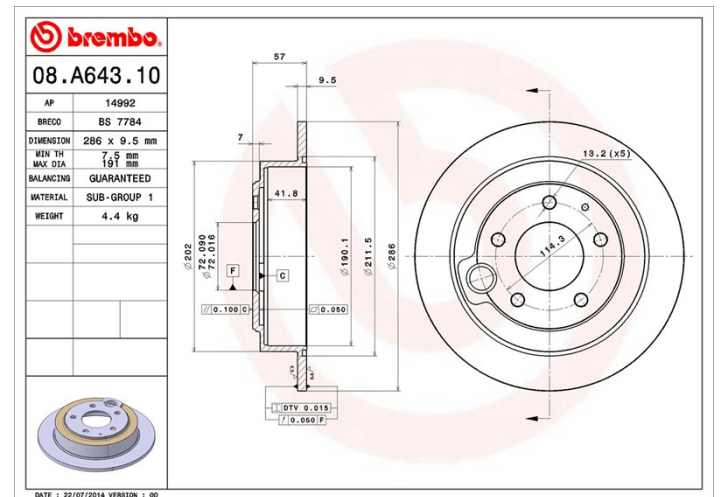
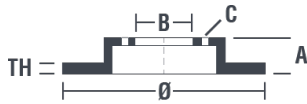
Thickness (TH)
9,5 mm

Minimum thickness
7,5 mm

Tightening torque 
103 Nm

Unit per box
2

EANCode
802058402776



Brand part numbers

Brembo
08.A643.10

AP
14992

Breco
BS 7784

Technical specifications

Compatible vehicles

MAZDA				
Model	Type	Kw	Year	
XEDOS 9 (TA)	2.0	118	08/98 08/00	
XEDOS 9 (TA)	2.0 24V	105	08/93 01/00	
XEDOS 9 (TA)	2.3 24V	155	02/95 01/00	
XEDOS 9 (TA)	2.5	147	09/00 09/02	
XEDOS 9 (TA)	2.5 24V	123	07/93 07/00	
XEDOS 9 (TA)	2.5 V6	120	07/00 09/02	

OE Part number

Compatible OE codes

MAZDA

TY3226251A