

Disc technical data

Axle Rear

Diameter
278 mm

Overall height (A)
57,5 mm

Centring diameter (B)
67 mm

Number of holes (C)
5

Thickness (TH)
9 mm

Minimum thickness
7,3 mm

Tightening torque 
130 Nm

Unit per box
2

EANCode
8020584019832

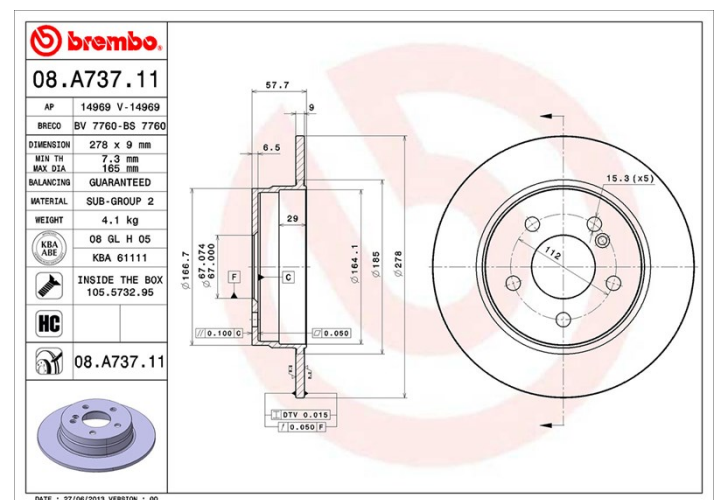


Brand part numbers

Brembo
08.A737.11

AP
14969 V

Breco
BV 7760



Technical specifications

High Carbon disc (HC)

Thanks to the high percentage of carbon in the chemical composition of the cast iron, the HC disc provides greater damping coefficient, able to reduce vibration and noise while driving.



Disc with fixing screw

By supplying the fixing screw in the disc box, Brembo provides extra help to the mechanic if the original screw is rusty or worn to such an extent as to prevent or make it difficult to reuse.



UV Disc

The UV coating process provides a superior corrosion resistance and full disc protection.



Compatible vehicles

MERCEDES-BENZ

Model	Type	kW/CV	Year
C-CLASS (W204)	C 180 CDI (204.000)	88/120	01/11 01/14
C-CLASS (W204)	C 180 CGI (204.031)	115/156	01/08 01/14
C-CLASS (W204)	C 180 CGI (204.049)	115/156	01/07 01/14

C-CLASS (W204)	C 180 Kompressor (204.044, 204.045)	115/156	01/08 01/14
C-CLASS (W204)	C 180 Kompressor (204.046)	115/156	01/07 01/14
C-CLASS (W204)	C 200 CDI (204.007, 204.006)	100/136	01/07 12/09
C-CLASS Coupe (C204)	C 180 (204.331)	115/156	01/13 -
C-CLASS Coupe (C204)	C 180 (204.349)	115/156	06/11 -
C-CLASS T-Model (S204)	C 180 (204.231)	115/156	02/12 08/14
C-CLASS T-Model (S204)	C 180 CDI (204.200)	88/120	01/11 08/14
C-CLASS T-Model (S204)	C 180 CGI (204.249)	115/156	11/09 08/14
C-CLASS T-Model (S204)	C 180 Kompressor (204.245)	115/156	01/08 08/14
C-CLASS T-Model (S204)	C 180 Kompressor (204.246)	115/156	08/07 08/14
C-CLASS T-Model (S204)	C 200 CDI (204.201)	100/136	08/10 08/14
C-CLASS T-Model (S204)	C 200 CDI (204.207)	100/136	08/07 12/09

MERCEDES-BENZ (BBDC)

Model	Type	kW/CV	Year
C-CLASS (W204)	C 180 (204.049)	115/156	08/13 12/14
C-CLASS (W204)	C 180 Kompressor (204.045)	115/156	07/10 12/12

OE Part number

Compatible OE codes

MERCEDES-BENZ	0004231312
MERCEDES-BENZ	2044230512
MERCEDES-BENZ	A0004231312
MERCEDES-BENZ	A2044230512