

# Disc 08.A759.11

## Disc technical data

**Axle** Rear

**Diameter**  
300 mm

**Overall height (A)**  
36,2 mm

**Centring diameter (B)**  
68 mm

**Number of holes (C)**  
5

**Thickness (TH)**  
12 mm

**Minimum thickness**  
10 mm

**Tightening torque**   
120 Nm

**Unit per box**  
2

**EANCode**  
8020584023600



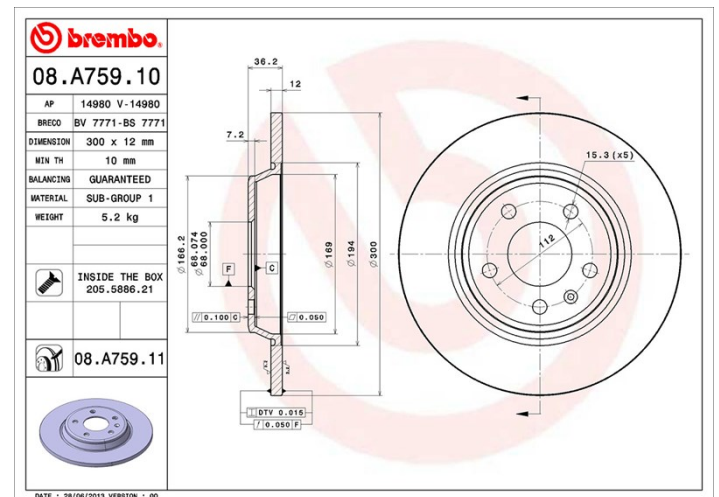


## Brand part numbers

**Brembo**  
08.A759.11

**AP**  
14980 V

**Breco**  
BV 7771



## Technical specifications

### Disc with fixing screw

By supplying the fixing screw in the disc box, Brembo provides extra help to the mechanic if the original screw is rusty or worn to such an extent as to prevent or make it difficult to reuse.



### UV Disc

The UV coating process provides a superior corrosion resistance and full disc protection.



## Compatible vehicles

### AUDI

| Model        | Type             | Kw  | Year        |
|--------------|------------------|-----|-------------|
| A4 (8K2, B8) | 1.8 TFSI         | 88  | 01/08 12/15 |
| A4 (8K2, B8) | 1.8 TFSI         | 118 | 11/07 03/12 |
| A4 (8K2, B8) | 1.8 TFSI         | 125 | 11/11 12/15 |
| A4 (8K2, B8) | 1.8 TFSI quattro | 118 | 09/08 03/12 |
| A4 (8K2, B8) | 1.8 TFSI quattro | 125 | 11/11 12/15 |

|              |                                |     |             |
|--------------|--------------------------------|-----|-------------|
| A4 (8K2, B8) | 2.0 TDI                        | 125 | 01/08 03/12 |
| A4 (8K2, B8) | 2.0 TDI                        | 110 | 05/13 12/15 |
| A4 (8K2, B8) | 2.0 TDI                        | 88  | 06/08 12/15 |
| A4 (8K2, B8) | 2.0 TDI                        | 120 | 08/08 12/15 |
| A4 (8K2, B8) | 2.0 TDI                        | 140 | 09/13 12/15 |
| A4 (8K2, B8) | 2.0 TDI                        | 100 | 11/07 12/15 |
| A4 (8K2, B8) | 2.0 TDI                        | 105 | 11/07 12/15 |
| A4 (8K2, B8) | 2.0 TDI                        | 130 | 11/11 12/15 |
| A4 (8K2, B8) | 2.0 TDI quattro                | 125 | 01/08 03/12 |
| A4 (8K2, B8) | 2.0 TDI quattro                | 110 | 05/13 12/15 |
| A4 (8K2, B8) | 2.0 TDI quattro                | 140 | 09/13 12/15 |
| A4 (8K2, B8) | 2.0 TDI quattro                | 105 | 11/08 12/15 |
| A4 (8K2, B8) | 2.0 TDI quattro                | 130 | 11/11 12/15 |
| A4 (8K2, B8) | 2.0 TFSI                       | 162 | 05/13 12/15 |
| A4 (8K2, B8) | 2.0 TFSI                       | 165 | 05/13 12/15 |
| A4 (8K2, B8) | 2.0 TFSI                       | 155 | 06/08 05/13 |
| A4 (8K2, B8) | 2.0 TFSI                       | 132 | 06/08 12/15 |
| A4 (8K2, B8) | 2.0 TFSI flexible fuel         | 132 | 11/09 12/15 |
| A4 (8K2, B8) | 2.0 TFSI flexible fuel quattro | 132 | 11/09 12/15 |
| A4 (8K2, B8) | 2.0 TFSI quattro               | 162 | 05/13 12/15 |
| A4 (8K2, B8) | 2.0 TFSI quattro               | 165 | 05/13 12/15 |
| A4 (8K2, B8) | 2.0 TFSI quattro               | 155 | 06/08 12/15 |
| A4 (8K2, B8) | 2.7 TDI                        | 120 | 11/07 03/12 |
| A4 (8K2, B8) | 2.7 TDI                        | 140 | 11/07 03/12 |
| A4 (8K2, B8) | 3.0 TDI                        | 150 | 11/11 12/15 |
| A4 (8K2, B8) | 3.0 TDI quattro                | 155 | 06/08 05/10 |
| A4 (8K2, B8) | 3.0 TDI quattro                | 176 | 11/07 03/12 |
| A4 (8K2, B8) | 3.0 TDI quattro                | 180 | 11/11 12/15 |
| A4 (8K2, B8) | 3.0 TFSI quattro               | 200 | 02/12 12/15 |
| A4 (8K2, B8) | 3.2 FSI                        | 195 | 09/08 03/12 |
| A4 (8K2, B8) | 3.2 FSI quattro                | 195 | 11/07 03/12 |

|                      |                  |     |             |
|----------------------|------------------|-----|-------------|
| A4 Allroad (8KH, B8) | 2.0 TDI quattro  | 120 | 04/09 05/16 |
| A4 Allroad (8KH, B8) | 2.0 TDI quattro  | 125 | 04/09 05/16 |
| A4 Allroad (8KH, B8) | 2.0 TDI quattro  | 110 | 05/13 05/16 |
| A4 Allroad (8KH, B8) | 2.0 TDI quattro  | 100 | 09/09 05/16 |
| A4 Allroad (8KH, B8) | 2.0 TDI quattro  | 105 | 09/09 05/16 |
| A4 Allroad (8KH, B8) | 2.0 TDI quattro  | 140 | 09/13 05/16 |
| A4 Allroad (8KH, B8) | 2.0 TDI quattro  | 130 | 11/11 05/16 |
| A4 Allroad (8KH, B8) | 2.0 TFSI quattro | 155 | 04/09 05/16 |
| A4 Allroad (8KH, B8) | 2.0 TFSI quattro | 162 | 05/13 05/16 |
| A4 Allroad (8KH, B8) | 2.0 TFSI quattro | 165 | 05/13 05/16 |
| A4 Allroad (8KH, B8) | 3.0 TDI quattro  | 180 | 01/12 05/16 |
| A4 Allroad (8KH, B8) | 3.0 TDI quattro  | 176 | 04/09 01/12 |
| A4 Avant (8K5, B8)   | 1.8 TFSI         | 88  | 04/08 12/15 |
| A4 Avant (8K5, B8)   | 1.8 TFSI         | 118 | 11/07 03/12 |
| A4 Avant (8K5, B8)   | 1.8 TFSI         | 125 | 11/11 12/15 |
| A4 Avant (8K5, B8)   | 1.8 TFSI quattro | 118 | 09/08 03/12 |
| A4 Avant (8K5, B8)   | 1.8 TFSI quattro | 125 | 11/11 12/15 |
| A4 Avant (8K5, B8)   | 2.0 TDI          | 125 | 04/08 03/12 |
| A4 Avant (8K5, B8)   | 2.0 TDI          | 100 | 04/08 12/15 |
| A4 Avant (8K5, B8)   | 2.0 TDI          | 105 | 04/08 12/15 |
| A4 Avant (8K5, B8)   | 2.0 TDI          | 110 | 05/13 12/15 |
| A4 Avant (8K5, B8)   | 2.0 TDI          | 88  | 06/08 12/15 |
| A4 Avant (8K5, B8)   | 2.0 TDI          | 120 | 08/08 12/15 |
| A4 Avant (8K5, B8)   | 2.0 TDI          | 140 | 09/13 12/15 |
| A4 Avant (8K5, B8)   | 2.0 TDI          | 130 | 11/11 12/15 |
| A4 Avant (8K5, B8)   | 2.0 TDI quattro  | 105 | 04/08 12/15 |
| A4 Avant (8K5, B8)   | 2.0 TDI quattro  | 110 | 05/13 12/15 |
| A4 Avant (8K5, B8)   | 2.0 TDI quattro  | 125 | 08/08 03/12 |
| A4 Avant (8K5, B8)   | 2.0 TDI quattro  | 140 | 09/13 12/15 |
| A4 Avant (8K5, B8)   | 2.0 TDI quattro  | 130 | 11/11 12/15 |
| A4 Avant (8K5, B8)   | 2.0 TFSI         | 165 | 05/13 12/15 |

|                    |                                |     |             |
|--------------------|--------------------------------|-----|-------------|
| A4 Avant (8K5, B8) | 2.0 TFSI                       | 155 | 06/08 05/13 |
| A4 Avant (8K5, B8) | 2.0 TFSI                       | 132 | 06/08 12/15 |
| A4 Avant (8K5, B8) | 2.0 TFSI flexible fuel         | 132 | 11/09 12/15 |
| A4 Avant (8K5, B8) | 2.0 TFSI flexible fuel quattro | 132 | 11/09 12/15 |
| A4 Avant (8K5, B8) | 2.0 TFSI quattro               | 165 | 05/13 12/15 |
| A4 Avant (8K5, B8) | 2.0 TFSI quattro               | 155 | 06/08 12/15 |
| A4 Avant (8K5, B8) | 2.7 TDI                        | 140 | 04/08 03/12 |
| A4 Avant (8K5, B8) | 2.7 TDI                        | 120 | 06/08 03/12 |
| A4 Avant (8K5, B8) | 3.0 TDI                        | 150 | 11/11 12/15 |
| A4 Avant (8K5, B8) | 3.0 TDI quattro                | 176 | 04/08 03/12 |
| A4 Avant (8K5, B8) | 3.0 TDI quattro                | 155 | 06/08 05/10 |
| A4 Avant (8K5, B8) | 3.0 TDI quattro                | 180 | 11/11 12/15 |
| A4 Avant (8K5, B8) | 3.0 TFSI quattro               | 200 | 02/12 12/15 |
| A4 Avant (8K5, B8) | 3.2 FSI                        | 195 | 09/08 03/12 |
| A4 Avant (8K5, B8) | 3.2 FSI quattro                | 195 | 04/08 03/12 |
| A5 (8T3)           | 1.8 TFSI                       | 130 | 05/15 01/17 |
| A5 (8T3)           | 1.8 TFSI                       | 118 | 05/09 09/11 |
| A5 (8T3)           | 1.8 TFSI                       | 125 | 10/07 01/17 |
| A5 (8T3)           | 2.0 TDI                        | 120 | 08/08 01/17 |
| A5 (8T3)           | 2.0 TDI                        | 125 | 08/08 03/12 |
| A5 (8T3)           | 2.0 TDI                        | 140 | 09/13 01/17 |
| A5 (8T3)           | 2.0 TDI                        | 130 | 10/11 01/17 |
| A5 (8T3)           | 2.0 TDI quattro                | 125 | 08/08 03/12 |
| A5 (8T3)           | 2.0 TDI quattro                | 140 | 09/13 01/17 |
| A5 (8T3)           | 2.0 TDI quattro                | 130 | 12/11 01/17 |
| A5 (8T3)           | 2.0 TFSI                       | 169 | 08/15 01/17 |
| A5 (8T3)           | 2.0 TFSI                       | 165 | 05/13 05/16 |
| A5 (8T3)           | 2.0 TFSI                       | 155 | 06/08 11/13 |
| A5 (8T3)           | 2.0 TFSI                       | 132 | 11/08 03/12 |
| A5 (8T3)           | 2.0 TFSI quattro               | 169 | 08/15 01/17 |
| A5 (8T3)           | 2.0 TFSI quattro               | 162 | 03/12 01/17 |

|                      |                  |     |             |
|----------------------|------------------|-----|-------------|
| A5 (8T3)             | 2.0 TFSI quattro | 165 | 05/13 05/16 |
| A5 (8T3)             | 2.0 TFSI quattro | 155 | 06/08 01/17 |
| A5 (8T3)             | 2.7 TDI          | 140 | 06/07 03/12 |
| A5 (8T3)             | 2.7 TDI          | 120 | 09/07 03/12 |
| A5 (8T3)             | 3.0 TDI          | 150 | 10/11 01/17 |
| A5 (8T3)             | 3.0 TDI quattro  | 155 | 03/08 05/10 |
| A5 (8T3)             | 3.0 TDI quattro  | 160 | 05/15 01/17 |
| A5 (8T3)             | 3.0 TDI quattro  | 176 | 06/07 03/12 |
| A5 (8T3)             | 3.0 TDI quattro  | 180 | 10/11 01/17 |
| A5 (8T3)             | 3.0 TFSI quattro | 200 | 12/11 01/17 |
| A5 (8T3)             | 3.2 FSI          | 195 | 06/07 03/12 |
| A5 (8T3)             | 3.2 FSI quattro  | 195 | 06/07 03/12 |
| A5 Convertible (8F7) | 1.8 TFSI         | 130 | 05/15 01/17 |
| A5 Convertible (8F7) | 1.8 TFSI         | 118 | 09/09 03/12 |
| A5 Convertible (8F7) | 1.8 TFSI         | 125 | 10/11 03/16 |
| A5 Convertible (8F7) | 2.0 TDI          | 125 | 05/09 03/12 |
| A5 Convertible (8F7) | 2.0 TDI          | 120 | 05/09 06/14 |
| A5 Convertible (8F7) | 2.0 TDI          | 110 | 05/13 01/17 |
| A5 Convertible (8F7) | 2.0 TDI          | 140 | 09/13 01/17 |
| A5 Convertible (8F7) | 2.0 TDI          | 130 | 10/11 01/17 |
| A5 Convertible (8F7) | 2.0 TDI          | 105 | 10/11 05/15 |
| A5 Convertible (8F7) | 2.0 TDI quattro  | 130 | 01/12 05/15 |
| A5 Convertible (8F7) | 2.0 TDI quattro  | 140 | 09/13 01/17 |
| A5 Convertible (8F7) | 2.0 TFSI         | 169 | 08/15 01/17 |
| A5 Convertible (8F7) | 2.0 TFSI         | 132 | 03/09 03/12 |
| A5 Convertible (8F7) | 2.0 TFSI         | 155 | 03/09 06/14 |
| A5 Convertible (8F7) | 2.0 TFSI         | 165 | 05/13 05/16 |
| A5 Convertible (8F7) | 2.0 TFSI         | 162 | 05/13 12/14 |
| A5 Convertible (8F7) | 2.0 TFSI quattro | 169 | 08/15 01/17 |
| A5 Convertible (8F7) | 2.0 TFSI quattro | 155 | 03/09 01/17 |
| A5 Convertible (8F7) | 2.0 TFSI quattro | 162 | 03/12 01/17 |

|                      |                  |     |             |
|----------------------|------------------|-----|-------------|
| A5 Convertible (8F7) | 2.0 TFSI quattro | 165 | 05/13 05/16 |
| A5 Convertible (8F7) | 2.7 TDI          | 140 | 03/09 03/12 |
| A5 Convertible (8F7) | 2.7 TDI          | 120 | 05/09 03/12 |
| A5 Convertible (8F7) | 3.0 TDI          | 150 | 10/11 01/17 |
| A5 Convertible (8F7) | 3.0 TDI quattro  | 176 | 03/09 03/12 |
| A5 Convertible (8F7) | 3.0 TDI quattro  | 160 | 05/15 01/17 |
| A5 Convertible (8F7) | 3.0 TDI quattro  | 180 | 10/11 01/17 |
| A5 Convertible (8F7) | 3.0 TFSI quattro | 200 | 11/11 01/17 |
| A5 Convertible (8F7) | 3.2 FSI          | 195 | 03/09 03/12 |
| A5 Convertible (8F7) | 3.2 FSI quattro  | 195 | 03/09 03/12 |
| A5 Sportback (8TA)   | 1.8 TFSI         | 130 | 05/15 01/17 |
| A5 Sportback (8TA)   | 1.8 TFSI         | 125 | 08/11 01/17 |
| A5 Sportback (8TA)   | 1.8 TFSI         | 106 | 09/14 01/17 |
| A5 Sportback (8TA)   | 1.8 TFSI         | 118 | 11/09 09/11 |
| A5 Sportback (8TA)   | 2.0 TDI          | 110 | 05/13 01/17 |
| A5 Sportback (8TA)   | 2.0 TDI          | 100 | 09/09 01/17 |
| A5 Sportback (8TA)   | 2.0 TDI          | 105 | 09/09 01/17 |
| A5 Sportback (8TA)   | 2.0 TDI          | 120 | 09/09 01/17 |
| A5 Sportback (8TA)   | 2.0 TDI          | 125 | 09/09 03/12 |
| A5 Sportback (8TA)   | 2.0 TDI          | 140 | 09/13 01/17 |
| A5 Sportback (8TA)   | 2.0 TDI          | 130 | 10/11 01/17 |
| A5 Sportback (8TA)   | 2.0 TDI quattro  | 125 | 09/09 03/12 |
| A5 Sportback (8TA)   | 2.0 TDI quattro  | 140 | 09/13 01/17 |
| A5 Sportback (8TA)   | 2.0 TDI quattro  | 130 | 12/11 01/17 |
| A5 Sportback (8TA)   | 2.0 TFSI         | 169 | 08/15 01/17 |
| A5 Sportback (8TA)   | 2.0 TFSI         | 165 | 05/13 05/16 |
| A5 Sportback (8TA)   | 2.0 TFSI         | 132 | 09/09 06/14 |
| A5 Sportback (8TA)   | 2.0 TFSI         | 155 | 09/09 11/13 |
| A5 Sportback (8TA)   | 2.0 TFSI quattro | 169 | 08/15 01/17 |
| A5 Sportback (8TA)   | 2.0 TFSI quattro | 165 | 05/13 05/16 |
| A5 Sportback (8TA)   | 2.0 TFSI quattro | 155 | 09/09 01/17 |

|                    |                  |     |             |
|--------------------|------------------|-----|-------------|
| A5 Sportback (8TA) | 2.7 TDI          | 120 | 09/09 01/17 |
| A5 Sportback (8TA) | 2.7 TDI          | 140 | 09/09 03/12 |
| A5 Sportback (8TA) | 3.0 TDI          | 150 | 10/11 01/17 |
| A5 Sportback (8TA) | 3.0 TDI quattro  | 160 | 05/15 01/17 |
| A5 Sportback (8TA) | 3.0 TDI quattro  | 176 | 09/09 03/12 |
| A5 Sportback (8TA) | 3.0 TDI quattro  | 180 | 10/11 01/17 |
| A5 Sportback (8TA) | 3.0 TFSI quattro | 200 | 12/11 01/17 |
| A5 Sportback (8TA) | 3.2 FSI quattro  | 195 | 09/09 03/12 |
| A6 (4G2, 4GC, C7)  | 1.8 TFSI         | 140 | 09/14 09/18 |
| A6 (4G2, 4GC, C7)  | 2.0 TDI          | 100 | 01/12 09/18 |
| A6 (4G2, 4GC, C7)  | 2.0 TDI          | 120 | 03/11 09/18 |
| A6 (4G2, 4GC, C7)  | 2.0 TDI          | 130 | 03/11 09/18 |
| A6 (4G2, 4GC, C7)  | 2.0 TDI          | 110 | 09/14 09/18 |
| A6 (4G2, 4GC, C7)  | 2.0 TDI          | 140 | 11/13 09/18 |
| A6 (4G2, 4GC, C7)  | 2.0 TDI quattro  | 140 | 04/15 09/18 |
| A6 (4G2, 4GC, C7)  | 2.0 TFSI         | 155 | 03/11 05/13 |
| A6 (4G2, 4GC, C7)  | 2.0 TFSI         | 132 | 05/11 09/18 |
| A6 (4G2, 4GC, C7)  | 2.0 TFSI         | 162 | 05/13 09/18 |
| A6 (4G2, 4GC, C7)  | 2.0 TFSI         | 185 | 09/14 09/18 |
| A6 (4G2, 4GC, C7)  | 2.0 TFSI hybrid  | 155 | 11/11 09/18 |
| A6 (4G2, 4GC, C7)  | 2.0 TFSI quattro | 155 | 05/12 05/13 |
| A6 (4G2, 4GC, C7)  | 2.0 TFSI quattro | 162 | 05/13 09/18 |
| A6 (4G2, 4GC, C7)  | 2.0 TFSI quattro | 185 | 05/14 09/18 |
| A6 (4G2, 4GC, C7)  | 2.0 TFSI quattro | 183 | 05/15 09/18 |
| A6 (4G2, 4GC, C7)  | 2.8 FSI          | 150 | 11/10 04/15 |
| A6 (4G2, 4GC, C7)  | 2.8 FSI quattro  | 162 | 09/14 09/18 |
| A6 (4G2, 4GC, C7)  | 2.8 FSI quattro  | 150 | 11/10 04/15 |
| A6 (4G2, 4GC, C7)  | 3.0 TDI          | 155 | 09/14 09/18 |
| A6 (4G2, 4GC, C7)  | 3.0 TDI          | 160 | 09/14 09/18 |
| A6 (4G2, 4GC, C7)  | 3.0 TDI          | 150 | 11/10 09/18 |
| A6 (4G2, 4GC, C7)  | 3.0 TDI quattro  | 150 | 03/11 09/18 |

|                           |                  |     |             |
|---------------------------|------------------|-----|-------------|
| A6 (4G2, 4GC, C7)         | 3.0 TDI quattro  | 180 | 03/11 09/18 |
| A6 (4G2, 4GC, C7)         | 3.0 TDI quattro  | 155 | 09/14 09/18 |
| A6 (4G2, 4GC, C7)         | 3.0 TDI quattro  | 160 | 09/14 09/18 |
| A6 (4G2, 4GC, C7)         | 3.0 TDI quattro  | 200 | 09/14 09/18 |
| A6 (4G2, 4GC, C7)         | 3.0 TDI quattro  | 235 | 09/14 09/18 |
| A6 (4G2, 4GC, C7)         | 3.0 TDI quattro  | 240 | 09/14 09/18 |
| A6 (4G2, 4GC, C7)         | 3.0 TDI quattro  | 230 | 11/11 09/18 |
| A6 (4G2, 4GC, C7)         | 3.0 TFSI quattro | 228 | 03/11 09/18 |
| A6 (4G2, 4GC, C7)         | 3.0 TFSI quattro | 245 | 09/14 09/18 |
| A6 (4G2, 4GC, C7)         | 3.0 TFSI quattro | 220 | 11/10 05/12 |
| A6 (4G2, 4GC, C7)         | S6 quattro       | 309 | 02/12 09/18 |
| A6 (4G2, 4GC, C7)         | S6 quattro       | 331 | 10/14 09/18 |
| A6 Allroad (4GH, 4GJ, C7) | 3.0 TDI quattro  | 180 | 01/12 06/16 |
| A6 Allroad (4GH, 4GJ, C7) | 3.0 TDI quattro  | 235 | 01/12 09/18 |
| A6 Allroad (4GH, 4GJ, C7) | 3.0 TDI quattro  | 150 | 01/12 12/14 |
| A6 Allroad (4GH, 4GJ, C7) | 3.0 TDI quattro  | 230 | 01/12 12/14 |
| A6 Allroad (4GH, 4GJ, C7) | 3.0 TDI quattro  | 160 | 09/14 09/18 |
| A6 Allroad (4GH, 4GJ, C7) | 3.0 TDI quattro  | 200 | 09/14 09/18 |
| A6 Allroad (4GH, 4GJ, C7) | 3.0 TFSI quattro | 228 | 01/12 12/14 |
| A6 Allroad (4GH, 4GJ, C7) | 3.0 TFSI quattro | 245 | 09/14 09/18 |
| A6 Avant (4G5, 4GD, C7)   | 1.8 TFSI         | 140 | 09/14 09/18 |
| A6 Avant (4G5, 4GD, C7)   | 2.0 TDI          | 100 | 01/12 09/18 |
| A6 Avant (4G5, 4GD, C7)   | 2.0 TDI          | 120 | 05/11 09/18 |
| A6 Avant (4G5, 4GD, C7)   | 2.0 TDI          | 130 | 05/11 09/18 |
| A6 Avant (4G5, 4GD, C7)   | 2.0 TDI          | 110 | 09/14 09/18 |
| A6 Avant (4G5, 4GD, C7)   | 2.0 TDI          | 140 | 11/13 09/18 |
| A6 Avant (4G5, 4GD, C7)   | 2.0 TDI quattro  | 140 | 04/15 09/18 |
| A6 Avant (4G5, 4GD, C7)   | 2.0 TFSI         | 132 | 06/11 09/18 |
| A6 Avant (4G5, 4GD, C7)   | 2.0 TFSI         | 185 | 09/14 09/18 |
| A6 Avant (4G5, 4GD, C7)   | 2.0 TFSI quattro | 183 | 05/15 09/18 |
| A6 Avant (4G5, 4GD, C7)   | 2.0 TFSI quattro | 185 | 05/15 09/18 |



|                         |                  |     |             |
|-------------------------|------------------|-----|-------------|
| A6 Avant (4G5, 4GD, C7) | 2.8 FSI          | 150 | 05/11 04/15 |
| A6 Avant (4G5, 4GD, C7) | 2.8 FSI quattro  | 150 | 05/11 04/15 |
| A6 Avant (4G5, 4GD, C7) | 2.8 FSI quattro  | 162 | 09/14 09/18 |
| A6 Avant (4G5, 4GD, C7) | 3.0 TDI          | 150 | 05/11 09/18 |
| A6 Avant (4G5, 4GD, C7) | 3.0 TDI          | 155 | 09/14 09/18 |
| A6 Avant (4G5, 4GD, C7) | 3.0 TDI          | 160 | 09/14 09/18 |
| A6 Avant (4G5, 4GD, C7) | 3.0 TDI quattro  | 150 | 05/11 09/18 |
| A6 Avant (4G5, 4GD, C7) | 3.0 TDI quattro  | 180 | 05/11 09/18 |
| A6 Avant (4G5, 4GD, C7) | 3.0 TDI quattro  | 155 | 09/14 09/18 |
| A6 Avant (4G5, 4GD, C7) | 3.0 TDI quattro  | 160 | 09/14 09/18 |
| A6 Avant (4G5, 4GD, C7) | 3.0 TDI quattro  | 200 | 09/14 09/18 |
| A6 Avant (4G5, 4GD, C7) | 3.0 TDI quattro  | 235 | 09/14 09/18 |
| A6 Avant (4G5, 4GD, C7) | 3.0 TDI quattro  | 240 | 09/14 09/18 |
| A6 Avant (4G5, 4GD, C7) | 3.0 TDI quattro  | 230 | 11/11 09/18 |
| A6 Avant (4G5, 4GD, C7) | 3.0 TFSI quattro | 220 | 05/11 05/12 |
| A6 Avant (4G5, 4GD, C7) | 3.0 TFSI quattro | 245 | 09/14 09/18 |
| A6 Avant (4G5, 4GD, C7) | 3.0 TFSI quattro | 228 | 11/11 09/18 |
| A6 Avant (4G5, 4GD, C7) | S6 quattro       | 309 | 02/12 09/18 |
| A6 Avant (4G5, 4GD, C7) | S6 quattro       | 331 | 10/14 09/18 |
| A7 Sportback (4GA, 4GF) | 1.8 TFSI         | 140 | 04/15 05/18 |
| A7 Sportback (4GA, 4GF) | 2.0 TFSI         | 185 | 09/14 05/18 |
| A7 Sportback (4GA, 4GF) | 2.0 TFSI quattro | 183 | 05/15 05/18 |
| A7 Sportback (4GA, 4GF) | 2.0 TFSI quattro | 185 | 05/15 05/18 |
| A7 Sportback (4GA, 4GF) | 2.5 FSI          | 150 | 09/12 03/15 |
| A7 Sportback (4GA, 4GF) | 2.8 FSI          | 150 | 02/11 03/15 |
| A7 Sportback (4GA, 4GF) | 2.8 FSI quattro  | 150 | 10/10 03/15 |
| A7 Sportback (4GA, 4GF) | 3.0 TDI          | 160 | 07/14 05/18 |
| A7 Sportback (4GA, 4GF) | 3.0 TDI          | 150 | 11/10 03/15 |
| A7 Sportback (4GA, 4GF) | 3.0 TDI          | 140 | 11/15 05/18 |
| A7 Sportback (4GA, 4GF) | 3.0 TDI          | 155 | 11/15 05/18 |
| A7 Sportback (4GA, 4GF) | 3.0 TDI quattro  | 176 | 05/13 06/17 |

|                         |                         |     |             |
|-------------------------|-------------------------|-----|-------------|
| A7 Sportback (4GA, 4GF) | 3.0 TDI quattro         | 200 | 05/14 05/18 |
| A7 Sportback (4GA, 4GF) | 3.0 TDI quattro         | 235 | 05/14 05/18 |
| A7 Sportback (4GA, 4GF) | 3.0 TDI quattro         | 155 | 07/14 05/18 |
| A7 Sportback (4GA, 4GF) | 3.0 TDI quattro         | 160 | 07/14 05/18 |
| A7 Sportback (4GA, 4GF) | 3.0 TDI quattro         | 240 | 09/14 05/18 |
| A7 Sportback (4GA, 4GF) | 3.0 TDI quattro         | 180 | 10/10 06/16 |
| A7 Sportback (4GA, 4GF) | 3.0 TDI quattro         | 230 | 11/11 03/15 |
| A7 Sportback (4GA, 4GF) | 3.0 TDI quattro         | 140 | 11/15 05/18 |
| A7 Sportback (4GA, 4GF) | 3.0 TDI quattro         | 150 | 12/10 03/15 |
| A7 Sportback (4GA, 4GF) | 3.0 TFSI quattro        | 245 | 05/14 05/18 |
| A7 Sportback (4GA, 4GF) | 3.0 TFSI quattro        | 228 | 01/11 03/15 |
| A7 Sportback (4GA, 4GF) | 3.0 TFSI quattro        | 220 | 10/10 05/12 |
| A7 Sportback (4GA, 4GF) | S7 quattro              | 309 | 02/12 03/15 |
| Q5 (8RB)                | 2.0 TDI                 | 110 | 05/13 -     |
| Q5 (8RB)                | 2.0 TDI                 | 140 | 09/15 -     |
| Q5 (8RB)                | 2.0 TDI                 | 100 | 11/10 -     |
| Q5 (8RB)                | 2.0 TDI                 | 105 | 11/10 -     |
| Q5 (8RB)                | 2.0 TDI quattro         | 110 | 05/13 -     |
| Q5 (8RB)                | 2.0 TDI quattro         | 130 | 06/12 -     |
| Q5 (8RB)                | 2.0 TDI quattro         | 100 | 08/09 -     |
| Q5 (8RB)                | 2.0 TDI quattro         | 105 | 08/09 -     |
| Q5 (8RB)                | 2.0 TDI quattro         | 120 | 11/08 -     |
| Q5 (8RB)                | 2.0 TDI quattro         | 125 | 11/08 -     |
| Q5 (8RB)                | 2.0 TDI quattro         | 140 | 11/13 -     |
| Q5 (8RB)                | 2.0 TFSI hybrid quattro | 155 | 06/11 -     |
| Q5 (8RB)                | 2.0 TFSI quattro        | 162 | 05/13 -     |
| Q5 (8RB)                | 2.0 TFSI quattro        | 165 | 06/12 -     |
| Q5 (8RB)                | 2.0 TFSI quattro        | 132 | 08/09 -     |
| Q5 (8RB)                | 2.0 TFSI quattro        | 169 | 08/15 -     |
| Q5 (8RB)                | 2.0 TFSI quattro        | 155 | 11/08 -     |
| Q5 (8RB)                | 3.0 TDI quattro         | 180 | 06/12 -     |

| Q5 (8RB)           | 3.0 TDI quattro     | 184 | 06/12 -     |
|--------------------|---------------------|-----|-------------|
| Q5 (8RB)           | 3.0 TDI quattro     | 155 | 11/08 -     |
| Q5 (8RB)           | 3.0 TDI quattro     | 176 | 11/08 -     |
| Q5 (8RB)           | 3.0 TDI quattro     | 190 | 11/13 -     |
| Q5 (8RB)           | 3.0 TFSI quattro    | 200 | 06/12 -     |
| Q5 (8RB)           | 3.2 FSI quattro     | 199 | 11/08 -     |
| Q5 (8RB)           | SQ5 TDI quattro     | 230 | 12/12 -     |
| <b>AUDI (FAW)</b>  |                     |     |             |
| Model              | Type                | Kw  | Year        |
| A4L (B8, 828)      | 1.8 30 TFSI         | 118 | 08/09 -     |
| A4L (B8, 828)      | 2.0 35 TFSI         | 132 | 11/08 -     |
| A4L (B8, 828)      | 2.0 TFSI            | 155 | 11/08 12/12 |
| A4L (B8, 828)      | 3.0 50 TFSI quattro | 200 | 08/12 12/16 |
| A4L (B8, 828)      | 3.2 quattro         | 195 | 01/09 12/11 |
| A4L (B8, 828)      | 40 TFSI quattro     | 155 | 08/12 12/14 |
| A4L (B8, 828)      | 45 TFSI quattro     | 165 | 06/14 -     |
| A6L (C7, 4X8, 4XL) | 1.8 TFSI            | 140 | 01/16 12/18 |
| A6L (C7, 4X8, 4XL) | 2.0 TFSI            | 132 | 01/12 12/16 |
| A6L (C7, 4X8, 4XL) | 30 FSI              | 140 | 01/12 12/16 |
| A6L (C7, 4X8, 4XL) | 30 FSI              | 150 | 01/16 12/18 |
| A6L (C7, 4X8, 4XL) | 35 FSI              | 162 | 01/12 12/15 |
| A6L (C7, 4X8, 4XL) | 35 FSI quattro      | 162 | 01/12 12/16 |
| A6L (C7, 4X8, 4XL) | 45 TFSI quattro     | 200 | 01/16 12/18 |
| A6L (C7, 4X8, 4XL) | 50 TFSI quattro     | 220 | 01/12 01/14 |
| A6L (C7, 4X8, 4XL) | 50 TFSI quattro     | 245 | 01/16 12/18 |
| A6L (C7, 4X8, 4XL) | 50 TFSI quattro     | 228 | 01/14 12/16 |
| Q5 (83B)           | 2.0 TFSI quattro    | 155 | 03/10 12/15 |
| Q5 (83B)           | 35 TFSI quattro     | 132 | 04/13 12/15 |
| Q5 (83B)           | 40 TFSI quattro     | 169 | 08/16 -     |
| Q5 (83B)           | 40 TFSI quattro     | 165 | 11/14 -     |

## OE Part number

**Compatible OE codes**

AUDI

8K0615601B

---