

Disc 08.A816.11

 **brembo**
AFTERMARKET

Disc technical data

Axle Rear

Diameter
302 mm

Overall height (A)
42,2 mm

Centring diameter (B)
68 mm

Number of holes (C)
5

Thickness (TH)
12 mm

Minimum thickness
10 mm

Tightening torque 
120 Nm

Unit per box
2

EANCode
8020584037263

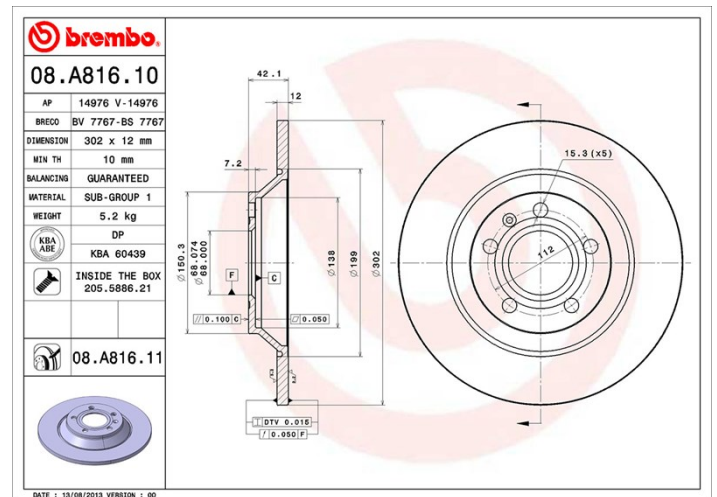


Brand part numbers

Brembo
08.A816.11

AP
14976 V

Breco
BV 7767



Technical specifications

Disc with fixing screw

By supplying the fixing screw in the disc box, Brembo provides extra help to the mechanic if the original screw is rusty or worn to such an extent as to prevent or make it difficult to reuse.



UV Disc

The UV coating process provides a superior corrosion resistance and full disc protection.



Compatible vehicles

AUDI

Model	Type	Kw	Year
A6 Allroad (4FH, C6)	2.7 TDI quattro	120	05/06 08/11
A6 Allroad (4FH, C6)	2.7 TDI quattro	132	05/06 10/08
A6 Allroad (4FH, C6)	2.7 TDI quattro	140	10/08 08/11
A6 Allroad (4FH, C6)	3.0 TDI quattro	155	05/06 08/11
A6 Allroad (4FH, C6)	3.0 TDI quattro	171	05/06 10/08

A6 Allroad (4FH, C6)	3.0 TDI quattro	176	10/08 08/11
A6 Allroad (4FH, C6)	3.0 TFSI quattro	213	10/08 08/11
A6 Allroad (4FH, C6)	3.2 FSI quattro	188	05/06 10/08

OE Part number

Compatible OE codes

AUDI	4F0615601G
------	------------