

Disc technical data

Axle Rear

Diameter
320 mm

Overall height (A)
66,3 mm

Centring diameter (B)
72 mm

Number of holes (C)
5

Thickness (TH)
14 mm

Minimum thickness
12,5 mm

Tightening torque
115 Nm

Unit per box
2

EANCode
8020584031728

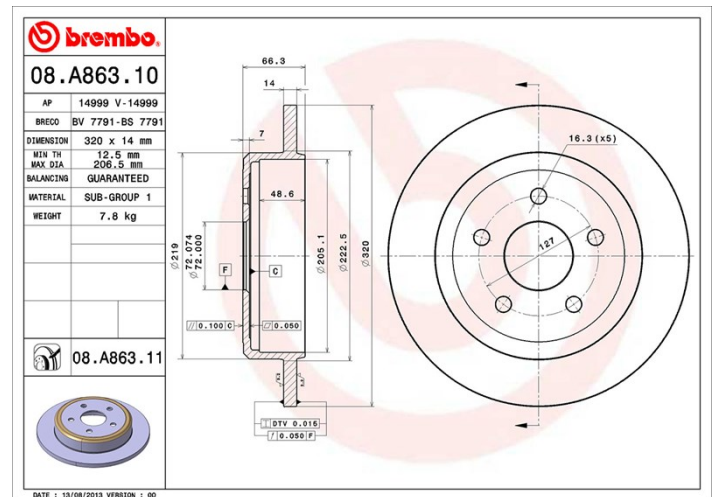


Brand part numbers

Brembo
08.A863.11

AP
14999 V

Breco
BV 7791



Technical specifications

UV Disc

The UV coating process provides a superior corrosion resistance and full disc protection.



Compatible vehicles

JEEP

Model	Type	Kw	Year
COMMANDER (XK, XH)	3.0 CRD 4x4	160	04/06 12/10
COMMANDER (XK, XH)	3.7 V6 4x4	157	09/05 12/10
COMMANDER (XK, XH)	4.7 V8 4x4	170	09/05 12/10
COMMANDER (XK, XH)	5.7 V8 4x4	240	09/05 12/10
GRAND CHEROKEE III (WH, WK)	3.0 CRD	160	06/05 12/10
GRAND CHEROKEE III (WH, WK)	3.0 CRD 4x4	155	05/06 12/10
GRAND CHEROKEE III (WH, WK)	3.0 CRD 4x4	160	06/05 12/10

GRAND CHEROKEE III (WH, WK)	3.7 V6	157	10/04 12/10
GRAND CHEROKEE III (WH, WK)	3.7 V6 4x4	148	01/08 12/10
GRAND CHEROKEE III (WH, WK)	3.7 V6 4x4	157	10/04 12/10
GRAND CHEROKEE III (WH, WK)	4.7 V8 4x4	164	06/05 12/10
GRAND CHEROKEE III (WH, WK)	4.7 V8 4x4	170	06/05 12/10
GRAND CHEROKEE III (WH, WK)	4.7 V8 4x4	223	09/07 02/10
GRAND CHEROKEE III (WH, WK)	4.7 V8 4x4	167	10/07 05/10
GRAND CHEROKEE III (WH, WK)	5.7	240	06/05 12/08
GRAND CHEROKEE III (WH, WK)	5.7 V8 4x4	265	01/09 12/10
GRAND CHEROKEE III (WH, WK)	5.7 V8 4x4	259	01/09 12/10
GRAND CHEROKEE III (WH, WK)	5.7 V8 4x4	240	06/05 12/10

OE Part number

Compatible OE codes

JEEP

52089275AB