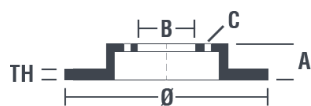


Disc 08.B348.4X



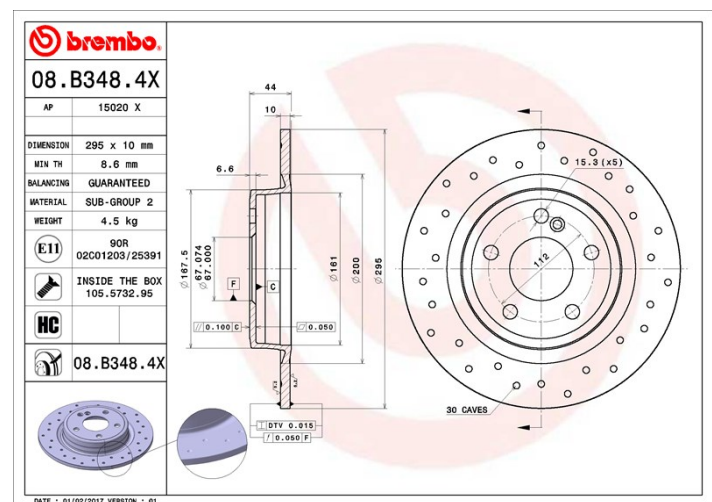
Disc technical data

Axle Rear	Diameter 295 mm
Overall height (A) 44 mm	Centring diameter (B) 67 mm
Number of holes (C) 5	Thickness (TH) 10 mm
Minimum thickness 8,3 mm	Tightening torque 130 Nm
Unit per box 2	EANCode 8020584220634



Brand part numbers

Brembo 08.B348.4X	AP 15020 X
-----------------------------	----------------------



Technical specifications

High Carbon disc (HC)

Thanks to the high percentage of carbon in the chemical composition of the cast iron, the HC disc provides greater damping coefficient, able to reduce vibration and noise while driving.



Disc with fixing screw

By supplying the fixing screw in the disc box, Brembo provides extra help to the mechanic if the original screw is rusty or worn to such an extent as to prevent or make it difficult to reuse.



UV Disc

The UV coating process provides a superior corrosion resistance and full disc protection.



Compatible vehicles

MERCEDES-BENZ

Model	Type	Kw	Year
A-CLASS (W176)	A 200 CDI / d 4-matic (176.002)	100	02/14 -
A-CLASS (W176)	A 220 4-matic (176.047)	135	05/14 -
A-CLASS (W176)	A 220 CDI (176.003)	120	01/14 -

A-CLASS (W176)	A 220 CDI (176.003)	125	09/12 -
A-CLASS (W176)	A 220 CDI 4-matic (176.005)	125	09/12 -
A-CLASS (W176)	A 220 d (176.003)	130	07/15 -
A-CLASS (W176)	A 220 d 4-matic (176.005)	130	07/15 -
A-CLASS (W176)	A 250 (176.050)	160	07/15 -
A-CLASS (W176)	A 250 4-matic (176.046)	155	06/12 06/15
A-CLASS (W176)	A 250 4-matic (176.051)	160	07/15 -
B-CLASS (W246, W242)	B 200 CDI / d (246.208)	100	08/14 -
B-CLASS (W246, W242)	B 200 CDI / d 4-matic (246.202)	100	08/14 -
B-CLASS (W246, W242)	B 200 Natural Gas Drive / B 200 c (242.848)	115	11/12 -
B-CLASS (W246, W242)	B 220 4-matic (246.247)	135	05/13 -
B-CLASS (W246, W242)	B 220 CDI / d (246.203)	125	11/11 -
B-CLASS (W246, W242)	B 220 CDI / d (246.203)	120	06/13 -
B-CLASS (W246, W242)	B 220 CDI / d (246.203)	130	09/14 -
B-CLASS (W246, W242)	B 220 CDI / d 4-matic (246.205)	130	09/14 -
B-CLASS (W246, W242)	B 250 (246.244)	155	05/12 -
B-CLASS (W246, W242)	B 250 4-matic (246.246)	155	08/14 -
B-CLASS (W246, W242)	Electric Drive / B 250 e (242.890)	65	11/14 10/17
B-CLASS (W246, W242)	Electric Drive / B 250 e (242.890)	132	11/14 10/17
CLA Coupe (C117)	CLA 180 (117.342)	90	01/13 -
CLA Coupe (C117)	CLA 180 CDI / d (117.312)	80	10/13 -
CLA Coupe (C117)	CLA 200 (117.343)	115	01/13 -
CLA Coupe (C117)	CLA 200 CDI (117.301)	100	06/13 -
CLA Coupe (C117)	CLA 200 CDI / d (117.308)	100	07/14 -
CLA Coupe (C117)	CLA 220 CDI / d (117.303)	125	01/13 -
CLA Coupe (C117)	CLA 220 CDI / d (117.303)	120	01/13 -
CLA Coupe (C117)	CLA 250 (117.344)	155	01/13 -
CLA Coupe (C117)	CLA 250 (117.350)	160	07/15 -
CLA Coupe (C117)	CLA 250 4-matic (117.346)	155	07/13 -
CLA Shooting Brake (X117)	CLA 180 (117.942)	90	01/15 -
CLA Shooting Brake (X117)	CLA 180 d (117.912)	80	07/15 -
CLA Shooting Brake (X117)	CLA 200 (117.943)	115	01/15 -

CLA Shooting Brake (X117)	CLA 200 CDI / d (117.908)	100	01/15 -
CLA Shooting Brake (X117)	CLA 220 CDI / d (117.903)	130	01/15 -
CLA Shooting Brake (X117)	CLA 250 (117.944)	155	01/15 -
GLA-CLASS (X156)	GLA 180 (156.942)	90	02/15 -
GLA-CLASS (X156)	GLA 180 CDI / d (156.912)	80	07/14 -
GLA-CLASS (X156)	GLA 200 (156.943)	115	12/13 -
GLA-CLASS (X156)	GLA 200 CDI / d (156.908)	100	12/13 -
GLA-CLASS (X156)	GLA 200 CDI 4-matic (156.902)	100	12/13 -
GLA-CLASS (X156)	GLA 220 CDI (156.903)	125	12/13 -
GLA-CLASS (X156)	GLA 220 CDI / d (156.903)	120	12/13 -
GLA-CLASS (X156)	GLA 220 CDI / d 4-matic (156.905)	120	12/13 -
GLA-CLASS (X156)	GLA 220 CDI 4-matic (156.905)	125	12/13 -
GLA-CLASS (X156)	GLA 220 d (156.903)	130	07/15 -
GLA-CLASS (X156)	GLA 220 d 4-matic (156.905)	130	07/15 -
GLA-CLASS (X156)	GLA 250 (156.944)	155	12/13 -
GLA-CLASS (X156)	GLA 250 4-matic (156.946)	155	12/13 -

MERCEDES-BENZ (BBDC)

Model	Type	Kw	Year
GLA (X156)	200 (156.943)	115	04/15 -
GLA (X156)	220 4-matic (156.947)	135	04/15 -
GLA (X156)	260 4-matic (156.946)	155	04/15 -

OE Part number

Compatible OE codes

MERCEDES-BENZ	2464230112
MERCEDES-BENZ	A2464230112