

Disc technical data

Axle Rear

Diameter
300 mm

Overall height (A)
101,7 mm

Centring diameter (B)
30 mm

Number of holes (C)
5

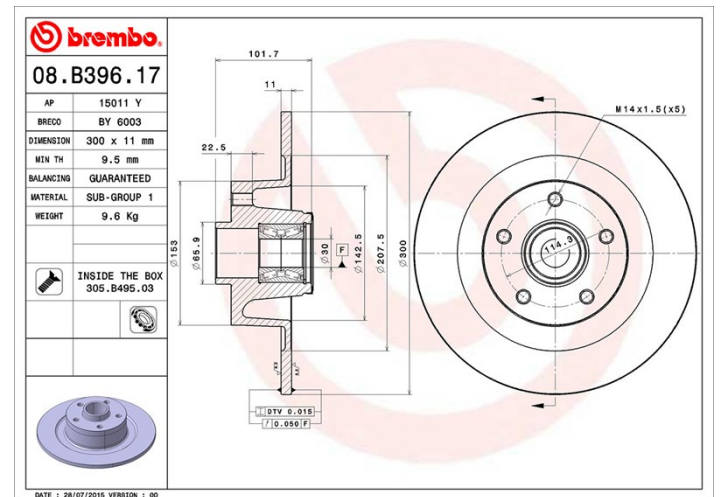
Thickness (TH)
11 mm

Minimum thickness
9,5 mm

Tightening torque
110 Nm

Unit per box
1

EANCode
8020584030400



Brand part numbers

Brembo
08.B396.17

AP
15011 Y

Breco
BY 6003

Technical specifications

Integrated bearing

Brake discs with integrated wheel hub are used on the rear axle of specific car models. To simplify replacement, Brembo supplies a pre-assembled kit with the bearing previously fitted into the disc.



Compatible vehicles

RENAULT

Model	Type	Kw	Year
LAGUNA Coupe (DT0/1)	1.5 dCi	81	03/12 12/15
LAGUNA Coupe (DT0/1)	2.0 16V Turbo	125	09/08 12/15
LAGUNA Coupe (DT0/1)	2.0 dCi (DT01, DT08, DT09, DT0K, DT12, DT1C, DT1D, DT1M,...)	110	09/08 12/15
LAGUNA Coupe (DT0/1)	2.0 dCi (DT0M, DT0N, DT0S, DT19, DT1F)	127	09/08 12/15
LAGUNA Coupe (DT0/1)	2.0 dCi GT (DT11, DT1E, DT1N)	131	09/08 12/15
LAGUNA Coupe (DT0/1)	2.0 GT	150	09/08 12/15

LAGUNA Coupe (DT0/1)	3.0 dCi	177	01/12 12/15
LAGUNA Coupe (DT0/1)	3.0 dCi (DT03)	173	09/08 12/15
LAGUNA Coupe (DT0/1)	3.5 V6 (DT0P)	175	09/08 12/15

OE Part number

Compatible OE codes

RENAULT	402020005R
---------	------------