

Disc technical data

Diameter (Diameter)
274 mm

Overall height (A)
86,2 mm

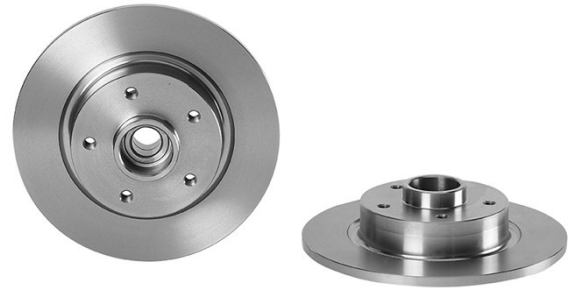
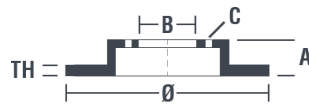
Centring diameter (B)
30 mm

Number of holes (C)
5

Thickness (TH)
11 mm

Minimum thickness
9,5 mm

Tightening torque
Nm

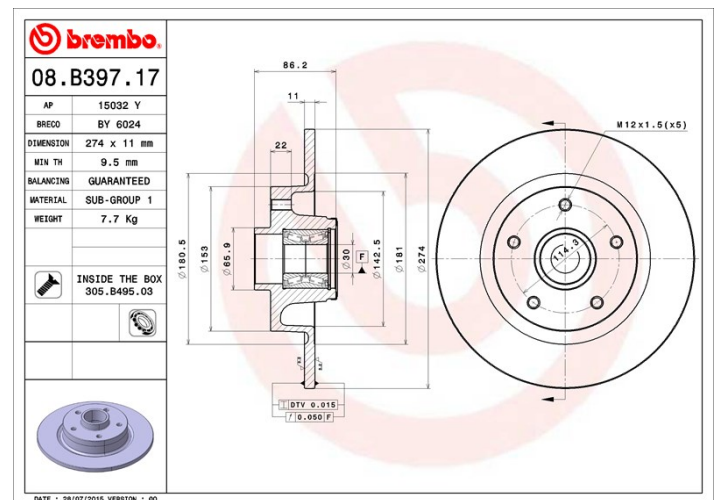


Brand part numbers

Brembo
08.B397.17

AP
15032 Y

Breco
BY 6024



Technical specifications

Integrated bearing

Brake discs with integrated wheel hub are used on the rear axle of specific car models. To simplify replacement, Brembo supplies a pre-assembled kit with the bearing previously fitted into the disc.



Compatible vehicles

RENAULT

Model	Type	Kw	Year
FLUENCE (L3_)	2.0 16V	101	05/11 -
FLUENCE (L3_)	Z.E.	70	02/12 -
GRAND SCÉNIC III (JZ0/1_)	1.2 TCe	85	04/12 -
GRAND SCÉNIC III (JZ0/1_)	1.2 TCe (JZ16)	97	01/13 -
GRAND SCÉNIC III (JZ0/1_)	1.4 16V (JZ0F)	96	02/09 -
GRAND SCÉNIC III (JZ0/1_)	1.5 dCi	78	02/09 -
GRAND SCÉNIC III (JZ0/1_)	1.5 dCi	81	04/09 -
GRAND SCÉNIC III (JZ0/1_)	1.5 dCi	70	11/10 -

GRAND SCÉNIC III (JZ0/1_)	1.6 16V (JZ0U)	81	02/09 -
GRAND SCÉNIC III (JZ0/1_)	1.6 16V Bifuel	81	02/09 -
GRAND SCÉNIC III (JZ0/1_)	1.6 16V Bifuel	79	04/12 -
GRAND SCÉNIC III (JZ0/1_)	1.6 dCi (JZ00, JZ12)	96	04/11 -
GRAND SCÉNIC III (JZ0/1_)	1.6 E85	81	02/09 -
GRAND SCÉNIC III (JZ0/1_)	1.9 dCi	96	02/09 -
GRAND SCÉNIC III (JZ0/1_)	2.0 16V (JZ0G)	103	02/09 -
SCÉNIC III (JZ0/1_)	2.0 16V (JZ0G, JZ0P, JZ1E, JZ1P)	103	02/09 -
SCÉNIC III (JZ0/1_)	2.0 dCi (JZ0L)	118	04/09 -
SCÉNIC III (JZ0/1_)	2.0 dCi (JZ0Y, JZ26)	110	02/09 -

OE Part number

Compatible OE codes

RENAULT	432000007R
---------	------------